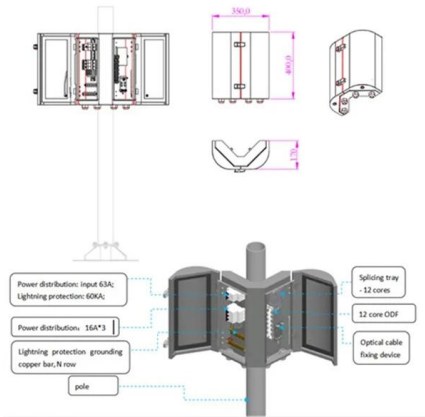


Aerospace Electronics Outdoor Cabinet Desktop



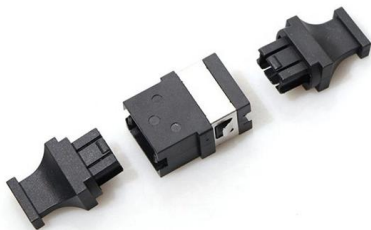


Aerospace Electronics Outdoor Cabinet Desktop



Military & Defense Electronic Enclosures & Cabinets , Emcors

Electronic equipment enclosures are on ships, in aircraft, and on the ground across aerospace and defense applications. We have been manufacturing enclosures to protect mission-critical equipment

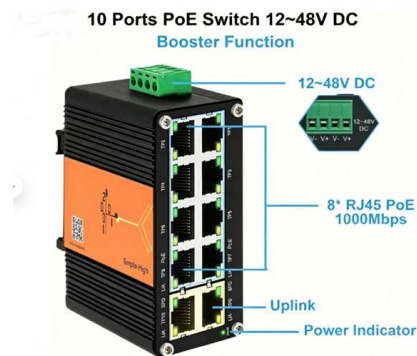


NEMA Outdoor Telecommunications Cabinets , DDB

DDB Unlimited manufactures NEMA outdoor cabinets to protect telecommunications, fiber optics, Wi-Fi and other electronics from the outdoors.

Outdoor Rack

Outdoor Racks & Cabinets Outdoor Rack: Protect your Mission-critical Applications - Even in Harsh Surroundings nVent SCHROFF Outdoor Racks & Cabinets safeguard your sensitive electronics in



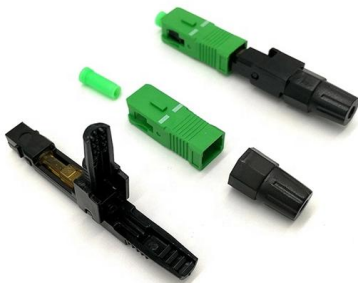
Electronic Cabinets

Our enclosures and electronics cabinets are in service in a variety of applications throughout the world in the toughest environments, from communications



Amazon : Racks & Cabinets: Electronics

Online shopping for Racks & Cabinets from a great selection at Electronics Store.



901d Rugged Enclosures Consoles , Defense Solutions

Brochure 901D Consoles and Workstations for Defense Missions Brochure Curtiss-Wright's approach to enclosure construction and system integration leverages the



nVent

nVent - Cabinet Outdoor Outdoor setups to shield electronic components from extreme weather, vandalism and thereby ensuring operational continuity.



Aerospace & Defence Enclosure and Cabinets

Designed to meet stringent industry standards, these cases are ideal for aerospace, military, and industrial applications. With customisable options and precision



Outdoor Cabinets - CableOrganizer

Harsh outdoor elements including rain, dirt, dust, UV rays, and extreme temperatures can have an impact on sensitive electronic equipment. Explore our Outdoor

Outdoor Power Systems

Outdoor Power Systems Available in different configurations, Delta OutD cabinets are designed to protect equipment from external threats in all climates from the tropics to the arctic. In addition to



Weatherproof Outdoor Enclosures by AZE , Durable,

AZE's weatherproof Outdoor Enclosures provide durable, corrosion-resistant protection for energy, telecom, and industrial applications. Customizable, NEMA



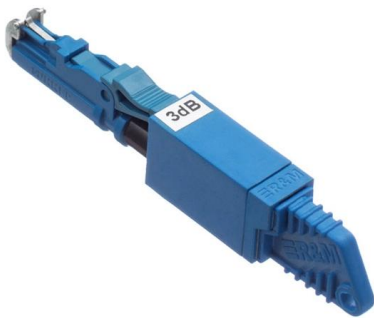
Rugged Cabinets for Harsh Environments , Military Aerospace

These cabinets face extreme shock, vibration, temperature swings, moisture, and electromagnetic interference (EMI), all while protecting densely packed electronics. This four-part white paper



rackmount military electronics enclosure , Military

WATERLOO, Ontario - Pixus Technologies in Waterloo, Ontario, is introducing the RX310 series rackmount 1U-tall electronics enclosure for military airborne,



Products

Outdoor Telecom Power System Available in different configurations, Delta OutD cabinets are designed to protect equipment from external threats in all climates



Electronics Cabinet

Ruggedized Cabinets The SCHROFF brand of Varistar electronics cabinets has a proven track record of reliable performance under extreme shock and vibration occurrences (seismic cabinet and seismic



NEMA 3R Outdoor Communication Enclosure / Cabinet

NEMA 3R Outdoor Enclosure / Cabinet SVP-453010 can be utilized as an electrical panel, battery storage, or communication cabinet.

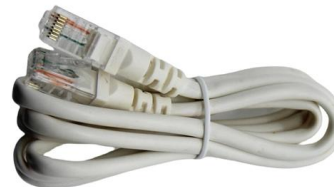


OutD

Available in different configurations, Delta OutD cabinets are designed to protect equipment from external threats in all climates from the tropics to the arctic. In addition to traditional cooling methods,

Rugged Electronics for Military & Aerospace Applications

Find complete mechanical, electrical, electronic and thermal solutions for applications requiring ruggedized equipment supported by a team of experienced engineers and test laboratories for EMC,



Eaton ExoCab Outdoor Enclosures

The Eaton ExoCab outdoor telecommunications cabinets are a range of versatile, cost effective outdoor cabinets for a wide range of electronics applications. They

Top 10 Weatherproof Outdoor Enclosure



Cabinets for

Discover the top 10 weatherproof outdoor enclosure cabinets designed to protect sensitive equipment from rain, dust, and extreme



Instrument Boxes & Enclosures for Desktop Electronics

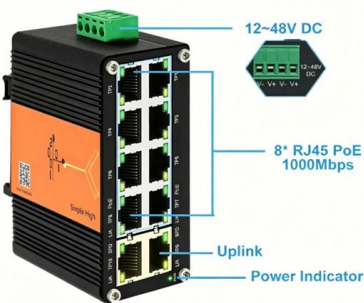
Durable desktop and instrument enclosures are designed for indoor electronics applications. Made from flame-retardant ABS plastic or rugged aluminum,

Military & Defense Enclosures, Racks, EMP Hardened Solutions

Learn how Equipto Electronics Corp serves the military and defense industries with rugged and compliant military-grade electronic equipment enclosures.



10 Ports PoE Switch 12~48V DC
Booster Function



Electronics Cabinets , McMaster-Carr

Choose from our selection of electronics cabinets, including over 1,100 products in a wide range of styles and sizes. Same and Next Day Delivery.

Electronic Equipment Cabinets, Huntsville , FMS



FMS Aerospace's electronic equipment cabinets offer complete protection from environmental factors such as temperature, humidity, and dust. Made with high



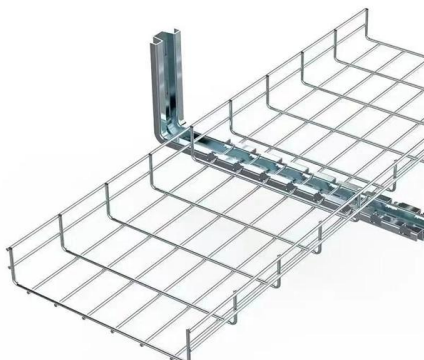
Military & Defense Enclosures, Racks, EMP Hardened Solutions

Our EMP-proof enclosures provide critical EMI and RFI shielding capabilities, protecting crucial electronics from damage. The robust design ensures high endurance, protecting even the most



Eaton DC Power Solutions ExoCab34 outdoor enclosure

ExoCab34 outdoor enclosure Versions Standard, closed enclosure sealed enclosure for equipment with small heat dissipation requiring a high level of protection from the environment.



RackOm System , Outdoor IP55 Racks/Cabinet

Outdoor Cabinets with Peltier Cooling system These cabinets having compact solid state design having cooling capacity ranging 60-200 W with optional custom



Rugged Electronics for Military & Aerospace Applications

Ruggedized electronics and related components for the toughest environments. In your most mission-critical applications, rely on rugged, yet lightweight electronic protection products that have been



Rugged Cabinets for Harsh Environments , Military Aerospace

Modern military and rugged industrial applications demand more from electronics cabinets than ever before. Gone are the days when electronics could live safely in climate-controlled data centers

Contact Us

For datasheets, pricing, or custom high-speed optical interconnect solutions, please visit:
<https://syropy.com.pl>