

Argentine fiber optic splice boxes high temperature resistant directly supplied by manufacturer





Argentine fiber optic splice boxes high temperature resistant direct

Fiber Splice Boxes , Amphenol Network Solutions



These boxes are well suited as optical cable splice collection points for DAS (Distributed Antenna Systems), MTU (Multi-Tenant Unit) commercial business

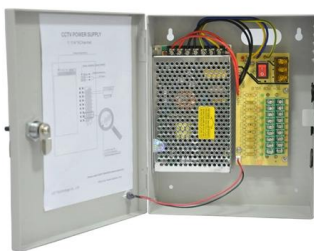
Fiber Optic Splice Closures, Trays and Modules , Anixter Argentina

Fiber optic splice closures, trays and modules for indoor and outdoor applications.



High-Speed Data Transmission with Fiber Optic Splice

Fiber-optic splice boxes ensure continuously reliable data transmission in real-time via fiber optics, enabling cloud-based technologies such



OSB , Amphenol Network Solutions

The indoor/outdoor fiber splice box from Amphenol Network Solutions is designed for splice-only applications. They are suited for optical cable splice collection points



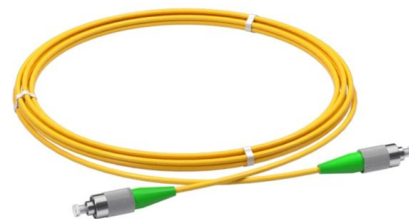
Fiber Optic Splice Boxes: Selection Criteria, and

Splicing technology enhances signal quality, reduces attenuation (signal loss), and increases reliability by creating near-seamless, permanent connections between



Argentina Fiber Optical Splice Enclosure Box Importers

Find Argentine fiber optical splice enclosure box importers on ExportHub . Get Argentina fiber optical splice enclosure box quotations from the most suitable suppliers for your business.



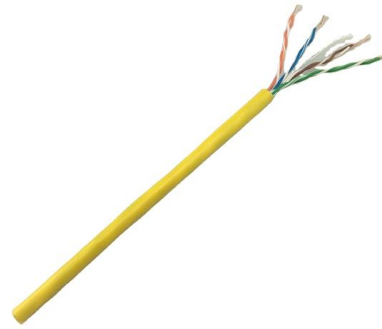
COYOTE® Splice Case

COYOTE ® Splice Case The COYOTE Splice Case combines the field-proven performance of the PREFORMED(TM) Splice Case (stainless steel) with the high



Splice enclosure Fibre optic

Fibre optic splice and distribution box Features Easy access and rugged housing made of extruded aluminum Connectors All standard connectors Place Wall



FO Connection Splice Box

Fiber optic wall boxes and splice boxes by Telegärtner offer a maximum amount of ports using a minimum of space. Based on Telegärtner's decades of experience, they offer easy and reliable

FO Splice Boxes in Glass-Fiber Reinforced Polyester

All product-related documents, such as certificates, declarations of conformity,



Distributors: Splice Boxes & Optical Network Terminal Boxes

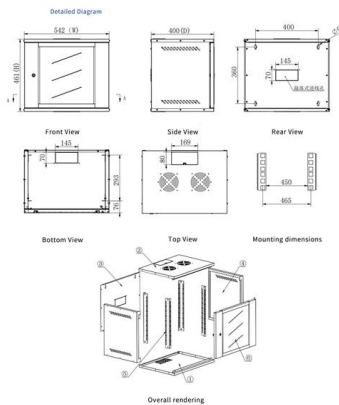
You can find fiber splice boxes and distribution boxes in the EFB-Elektronik online shop with a wide range of matching distributors, module racks, subracks and accessories.





A Complete Guide to Fiber Optic Splice Closures: Installation and

A fiber optic splice closure is a small plastic box that protects the fiber cable inside. These closures are essential in FTTH (Fiber to the Home), FTTX (Fiber to the X), and backbone



Fiber optic splice boxes Market latest Statistics,

Regional manufacturers are gaining share in the Fiber optic splice boxes Market by focusing on price competitiveness and domestic supply advantages. Asian suppliers particularly benefit from lower

Engineering the Fiber Networks of Tomorrow , Fibramérica

Fiber optic solutions engineered for demanding networks. FTTH, FTTA & industrial infrastructure. ISO-certified. Trusted partner for ISPs across Latin America.



Fiber optic splice boxes

With the capability to accommodate up to 48 fibers through patching or splicing, the FP-19 ensures efficient connectivity in diverse scenarios. The FP-19 package includes essential components for



Optical Fiber Splice Boxes

Designed for indoor installations, this compact enclosure connects and terminates multiple fiber optic cables through splicing or connectorization. It provides a clean, secure environment for fiber

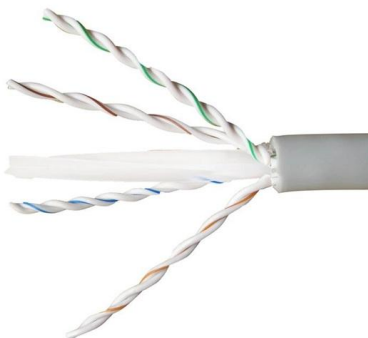


Fiber Optic Splice Box

The Waterproof Fiber Optic Splice Box is a high-quality, reliable solution for managing fiber optic cables in various applications. With its waterproof design and multiple ports, this closure ensures secure

IP68 288 Core High-capacity Fiber Optic Splice Closure

The SC-H 288 Core Fiber Optic Splice Closure is an advanced solution cater to the diverse requirements of FTTH. This high-capacity closure



Fiber Cable Mechanical Splicing Guide Using Fiber

Learn how to perform mechanical fiber cable splicing inside fiber enclosures using fiber splice trays. This step-by-step guide covers fiber



Fibre optic cable distribution , Splice boxes , LAPP Online Shop

Our splice boxes are used to securely connect and distribute fibre optic cables by protecting spliced glass fibres from external influences. They also enable easy maintenance and repair of the fibre optic



Contact Us

For datasheets, pricing, or custom high-speed optical interconnect solutions, please visit:
<https://syropy.com.pl>