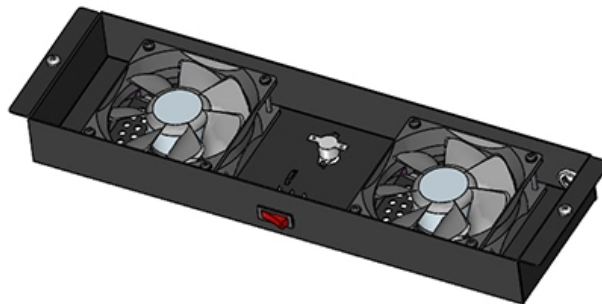


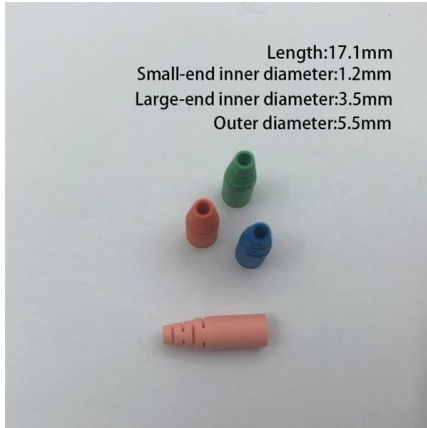
Cable Tray Calculation Assistant

1 0 9





Cable Tray Calculation Assistant 1 0 9



Cable Tray Fill Calculator , NEC 40% Rule , CalcShed

Free cable tray fill calculator to estimate tray fill percentage by tray width/depth and cable diameter/count. Includes a planning pass/high indicator.

Cable Tray Capacity Calculator

A Cable Tray Capacity Calculator is an essential tool for electrical engineers, contractors, and project managers involved in the installation and



Microsoft Word

150 ohm shielded twisted pair (STP-A) is a recognized cable type but is not recommended for new cabling installations. All jumpers, patch cords, equipment cords shall meet all applicable standards

Cable Tray Sizing Calculator , Free Calculator , WiringCalcs

Cable Tray Sizing Calculator Size cable trays per NEC 392 based on cable count, diameter, tray type, and future expansion needs.



Cable Tray Fill Calculator & Formula Online Calculator Ultra

Accurately calculating cable tray fill is vital for preventing issues such as overheating, ensuring proper airflow, and maintaining compliance with safety standards.

Cable Tray Fill Calculator (NEC)

The result should be treated as a calculated tray-fill screening estimate. Actual NEC acceptance can depend on cable type, single-conductor versus multiconductor arrangement, tray type, spacing basis,



Cable Tray Fill Calculator -- IEC 61537 , ECalPro

Cable tray fill percentage calculator per IEC 61537. Multi-cable derating factors, ventilated/non-ventilated tray types, cable diameter to tray width ratio.



3M Cold Shrink QT-III Silicone Rubber Skirted Termination Kit

CAUTION Working around energized systems may cause serious injury or death. Installation should be performed by personnel familiar with good safety practice in handling electrical equipment. De



Cable Tray Load Calculation and Sizing: Your Easy Guide

Worried about cable tray capacity? Learn simple cable tray load calculation steps. This guide helps you pick the right tray every time, keeping



CABLE TRAY SYSTEMS GUIDE

Cable Tray Systems Guide HUBBELL Hubbell Wiring Device-Kellems and Hubbell Premise Wiring are divisions of Hubbell Incorporated, a U.S. headquartered manufacturer with over 130 years of



Cable Tray Sizing and Calculation Guide

The document provides an overview of cable trays, which are designed to organize electrical wires and prevent tangling. It details different types of cable trays, such as ladder, perforated, solid bottom, wire

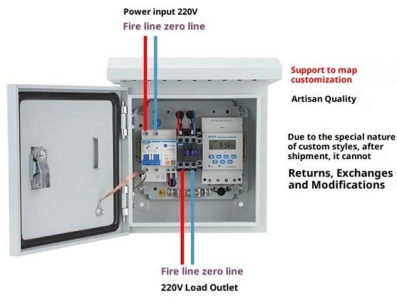


Lapp Tray Calculator

Lapp Tray Calculator ÖLFLEX® Tray Application Pictures



Product Wiring Diagram

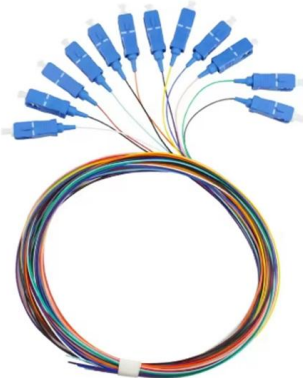
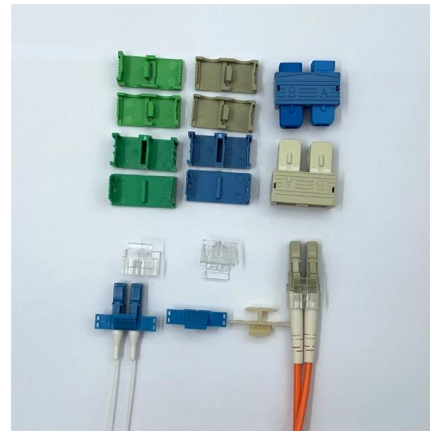


GitHub

Curated list of things that help you make something awesome with Snapmaker machines. - [shurushetr/awesome-snapmaker](https://github.com/shurushetr/awesome-snapmaker)

Free Cable Tray Sizing Calculator -- IEC, AS/NZS, NEC, BS

Size cable trays for fill ratio, weight capacity, and conductor grouping. Supports IEC 61537, AS/NZS 3000, NEC 392, and BS 7671 standards.



Cable Tray Size Calculation Guide , PDF , Length

The document provides a step-by-step calculation for determining the appropriate size of a cable tray based on a given cable schedule. It calculates the total



NVIDIA DGX SuperPOD Data Center Design

This document provides guidelines for selecting or configuring the right data center to deploy a DGX SuperPOD, and is the result of co-design between DL scientists, application performance engineers,

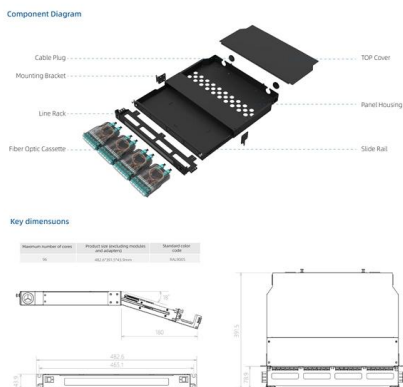


NEMA VE-1 Cable Tray System Manual , PDF

NEMA VE-1 Cable Tray System Manual This document provides definitions and standards for metal cable tray systems. It defines various types of cable trays

Where are the Revit families for the pipes/ducts/cable trays

Where are the Revit families for the pipes/ducts/cable trays stored? I cannot find those families to load them into the Revit model. Pipes/ducts/cable trays as a System Families are



ESPnet2 pretrained model, Shinji

This model was trained by Shinji Watanabe using nsc recipe in espnet. Python API See https://github.com/espnet/espnet_model_zoo Evaluate in the recipe git clone https://github.com/espnet/espnet_model_zoo



Steel Structure Calculation for Cable Tray , PDF

This document provides a calculation report for the steel structure of a cable tray rack. It includes details on the scope, references, loading assumptions, load



REINFORCED VIRGIN PVC TRUNKING

Superior Crush Resistance



Best Practice Guide to Cable Ladder and Cable Tray Systems

This guide covers cable ladder systems, cable tray systems, channel support systems and associated supports intended for the support and accommodation of cables and possibly other electrical

Omnissa Workspace ONE Assist for Android Release Notes

Workspace ONE® Assist allows Workspace ONE® UEM administrators to remotely access and troubleshoot devices in real time while respecting end-user privacy. Workspace ONE Assist for



Contact Us

For datasheets, pricing, or custom high-speed optical interconnect solutions, please visit:
<https://syropy.com.pl>