

Cable tray T-shaped tee cover





Cable tray T-shaped tee cover



Tee Bend for Cable Trays

Tee Bend for Cable Trays The purpose of Tee Bends for Cable Trays is to enable the cable trays to branch out in three different directions, creating a 'T' shape. These bends are essential for designing

Cable Tray

Cable Ladders Straight sections of ladder type cable trays consist of two longitudinal side rails, connected by individual transverse members, or rungs, which are welded to the side rails or bolted in



Cable Tray Cover T-piece , Trayco

Characteristic of this steel type is that - prior to mechanical deformation - it is

Cable Tray Covers

MP Husky offers a wide variety of cable tray covers to provide protection for the cables contained within the system from sunlight, environmental elements, dirt, debris, and falling objects. All of the covers



Cable Crossovers & Tees For Cable Trays , Metsec

We offer a range of cable crossovers and tees, available in both equal and unequal measures, for light, medium, and heavy duty cable tray systems in widths of



11 Types of Cable Tray Covers and How to Choose It New

That is, it covers the top section of the cable tray. In this guide, you will learn about the different types of cable covers and how to choose a perfect



Cable Tray Accessories

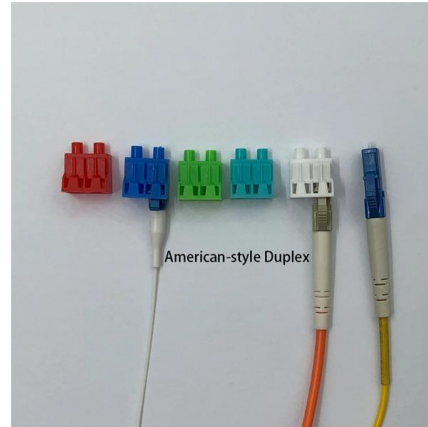
DMV Metal Krafts are manufacturer of cable tray accessories, cover, cable tray cover, cable tray tee, cable tray reducer, vertical outer, perforated type cable tray





Cable Tray Cover Accessories

Cable Tray Cover Accessories are essential components for protecting and organizing cables within cable trays. They include covers, clips, end caps, hinges,

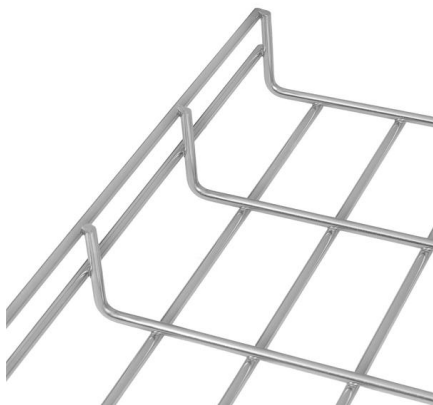


Perforated Horizontal T-shaped Cable Tray , Nam

A perforated horizontal T-shaped cable tray is a specific type of fitting used in cable tray systems to create a three-way branch or intersection while maintaining a

MP Husky Cable Tray Catalog.pdf

Hat-shaped covers are designed to protect installations where the cables extend above the upper flanges of the tray. Hat-shaped covers are available with a flat solid top or a corrugated ventilated top

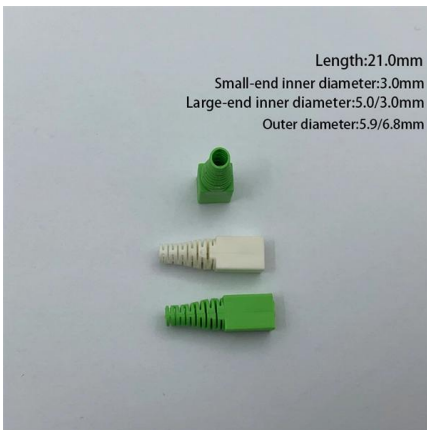


Covers

Turning bolt assembly tool DMT asymmetrical angle, for use during turning bolt assembly without additional screwdriver in horizontal position of the cover 4 Items

Cable Tray Types & Installation Guide ,

Learn cable tray types, uses, and installation basics to support safe, efficient electrical and water supply pipe systems in your project.

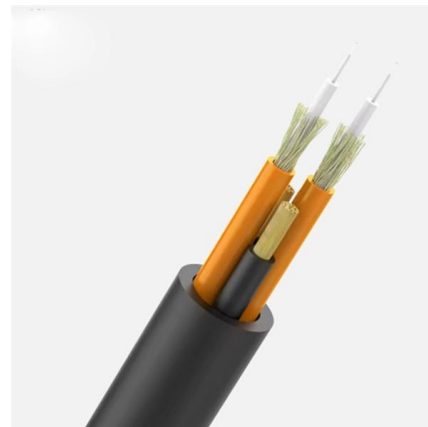


CTT Cable Tray Tee SS

EzyStrut offers a comprehensive range of cable trays, including the CT, ET EzyTray, ET3 and ET5, made from durable pre-galvanised or hot dip galvanised steel.

Cover t-piece FTE

Flat t-piece covers for the FTE cable tray system. Cover widths from 50-300mm have snap-on feature. These covers uses a quick-snap shape that allows quick



T-shaped branch for power supply cables , wire channels , trays , metal

Metal T-shaped branches for cable trays are specialized components designed for electrical power supply systems. These branches are used to efficiently and safely connect cables from different



Cable Tray Tee



Find here Cable Tray Tee, Cable Tray Horizontal Tee manufacturers, suppliers & exporters in India. Get contact details & address of companies manufacturing and



Types of Cable Tray Covers and How to Choose It

Explore various types of cable tray covers and learn how to choose the right one for your project. Improve safety, durability, and cable protection today.

Equal TEE Planar Perforated Cable Tray HDG with Cover & Fittings

Equal TEE Planar Perforated Cable Tray HDG with Cover & Fittings Joining Piece with Cover Clamp J-Hook Type. BESCA offers low cost, light, and fast installation., Alibaba



Smart Cable Tray Covers: A Buyer's Guide to Material,

Cable tray covers are more than lids. Their shape solves real engineering challenges like water runoff, airflow, and protection from external



Vertical Tees , Cable Tray Systems , Power Utility

Discover our Vertical Tees for cable tray systems. Contact us today for availabilities and receive a quote. Fast shipping for just in time delivery!

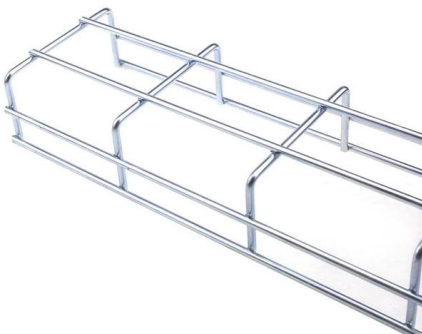


Cable Tray Covers

Cable tray covers are essential parts that keep cables contained and protected in a variety of commercial and industrial settings. A variety of premium covers from

Cable Tray Accessories

To facilitate easy installation of cable trays we also manufacture accessories e.g. Vertical bend, horizontal bend, cross and horizontal tee. Our range includes



88615_Aluminum01-51

-- Tray covers are available for all classes of tray. They should be installed where falling objects may damage cables or where vertical tray run is accessible by pedestrian or vehicular traffic.



Cable Tray Cover Types: Designs, Materials & Selection

A complete guide to cable tray cover types: Compare 9+ designs, material specifications (NEMA/IEC), selection factors & maintenance best practices.

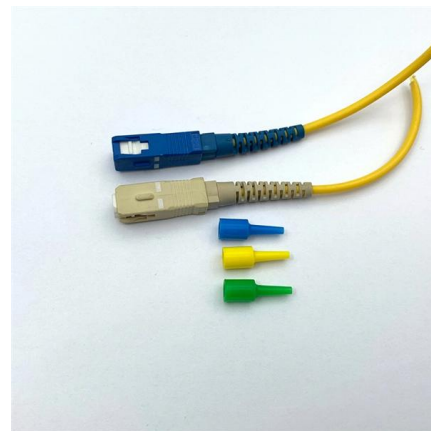


Cable Tray Fitting

Cable Tray Fitting - Tee NOTE : Equal or un equal tees can be supplied. When ordering state widths W1xW2xW3

Cover, T piece , OBO

Covers, fittings, universal - Cover, T piece.



Contact Us

For datasheets, pricing, or custom high-speed optical interconnect solutions, please visit:

<https://syropy.com.pl>