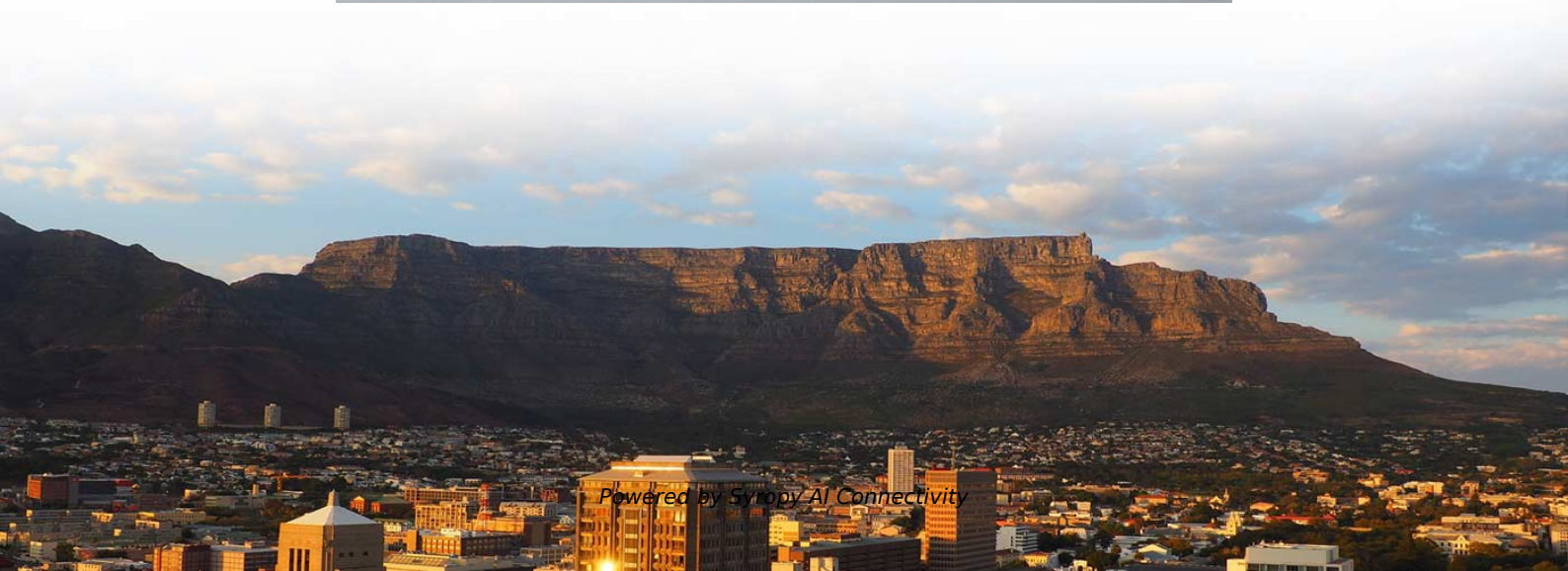


# **Cable tray installation procedures**





## Cable tray installation procedures

---



### **Mastering Cable Tray Installation , Step-by-Step Guide for a Seamless**

Mastering cable tray installation is crucial for creating a safe, organised, and efficient cable management system. By following this step-by-step guide, you can ensure a seamless setup that

### **Cable Tray and Conduit Installation Method Statement**

Step-by-step cable tray and conduit installation method with safety, quality and inspection procedures as per IEEE standards.



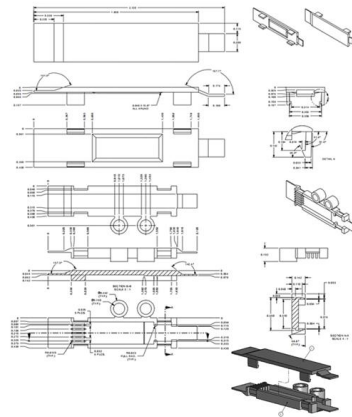
### **Cable Tray Technical Guide A practical guide to product selection and**

A practical guide to product selection and installation This guide for engineers and installers has been developed by ABB as a practical reference regarding cable tray characteristics, installation, and

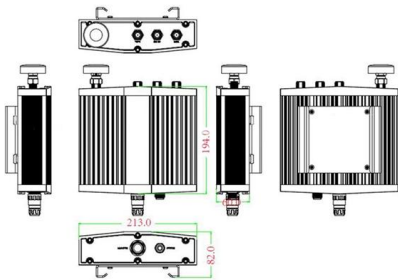


### **Instrumentation Cable Tray Installation Checklist and**

Instrumentation cable trays are critical for organizing and protecting electrical and signal cables in industrial environments. The process described



**Mechanical drawing**



### **Best Practices for Installing Cables in Trays**

Learn the best practices for installing cables in trays. This guide covers essential steps, technical requirements, and key details

### **Powder Coating for Cable Tray Systems Guide**

Cable tray systems are the structural pathways that support and route electrical power cables, data cables, and communication wiring throughout commercial buildings, industrial facilities,



### **How to Install Wire Mesh Cable Trays , Madewithless**

Wire Mesh Cable Tray Installation Guide , Step-by-Step Tutorial Welcome to our wire mesh cable tray installation tutorial! In this video, we'll walk you through the entire





## Method Statement installation of Cable Trays and Ladders

The Cable Tray system is installed in electrical rooms, plant rooms, and service corridors. This section will guide you through the necessary steps to



## Instrumentation Cable Tray Installation Checklist and

Step-by-step instrumentation cable tray installation guide with safety tips, standards, inspections, and downloadable Excel checklist.

## METHOD STATEMENT FOR Cable tray and trunking system installation

Cable tray and trunking system relevant to this particular section of works will be checked and verified that these are correct type.



## How to install Cable Trays - Best Guide in 2026

Step-by-step on-site guide: learn how to plan, mark, support, and install cable trays correctly, from shop drawing approval to final checks.



## Cable Tray Installation

4. What materials are commonly used for cable trays? Depending on the application and environment, fiberglass, aluminum, and steel (galvanized or stainless) are typically used. 5. What are the standard



## Cable Tray Installation Procedure Guide

The document outlines the procedure for installing cable trays, including essential tools, equipment, and safety measures. It emphasizes the importance of thorough



## Cable Tray Technical Guide A practical guide to product selection and

Cable Tray Technical Guide A practical guide to product selection and installation This guide for engineers and installers has been developed by ABB as a practical reference regarding cable tray



## Method Statement installation of Cable Trays and Ladders

This method statement covers the site installation of the cable tray & ladders and the requirements of checks to be carried out.



## Safely Installing, Maintaining and Inspecting Cable Trays

Cable trays support cables across open spans in the same way that roadway bridges support traffic. Cable trays can provide a safe component of a power, low voltage control, data or



### INSTALLATION GUIDE

This data should include storage temperatures, cable weight per foot, minimum and maximum sidewall pressures, and recommended installation procedures (e.g. field splices, bending radii and pulling tools).

### Cable Tray Installation Method Statement

This method statement outlines the procedures for installing cable trays, including: 1. Planning preparation such as assigning supervisors, briefing



### Cable Tray Installation

Whether you're building a commercial setup or upgrading an industrial plant, proper cable tray installation ensures neat wiring, safe access, and easy maintenance. But before you lay the first tray



## Method Statement for Installation of Cable Tray or Trunking

On completion of cable tray/ ladder installation including fittings, inspect exposed finish. Remove burrs & construction debris and repair damages finishes



## Cable Tray Installation Procedure Guide

This document provides procedures for installing cable trays according to international standards. It describes inspecting and storing cable trays upon

## Mastering Cable Tray Installation , Step-by-Step Guide for a Seamless

Learn how to install cable trays correctly. Get the ultimate step-by-step guide on setting up a seamless and reliable cable management system.



## A Guide to Installing and Supporting Electrical Cable Trays

A professional guide to installing electrical cable tray systems per NEC Article 392. Covers support, securing cables, and fill calculations.



## Contact Us

---

For datasheets, pricing, or custom high-speed optical interconnect solutions,  
please visit:

<https://syropy.com.pl>