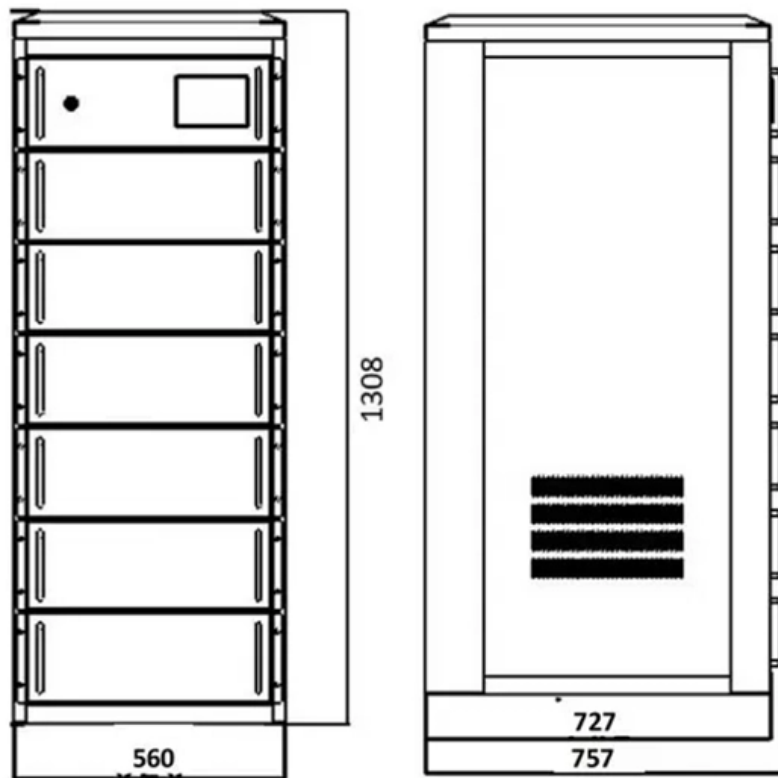


# Coated steel tape for optical cables





## Overview

---

Steel Tape: The copolymer coated steel tape ensures durability and strength, making it ideal for cable wrapping and armoring. Insulation: With its high-temperature resistance, this steel tape provides reliable insulation for the optical fiber cable. Armoring Shielding Insulation Copolymer Coated Steel Tape For Communication Optical Fiber Cable Our Copolymer Coated Steel Tape is a semi-flexible composite material which Copolymer coated on various thicknesses of Steel (ECCS) foil. These tapes are widely used across industries due to their resistance to environmental stressors such as moisture, UV radiation. DigitalPort assures heat-seal coating technology to avoid delamination issues which may caused some problems of cable applications.



## Coated steel tape for optical cables

---

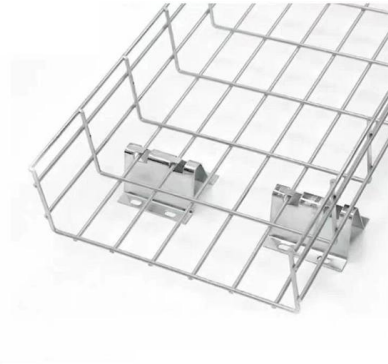


### UNI-TUBE STEEL TAPE CABLE (UP TO 12F)

UNI-TUBE STEEL TAPE CABLE (UP TO 12F) : Meet the UNI-TUBE Steel Tape Cable, the relentless champion of secure and robust connectivity. Constructed

### COPOLYMER COATED STEEL TAPE

The copolymer substrate exhibits excellent adhesion to steel. It can adhere to Low (LDPE), Linear Low (LLDPE), Medium (MDPE) and

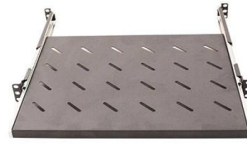


### Corrugated Steel Tape Armoring Process for Loose Tube Cables

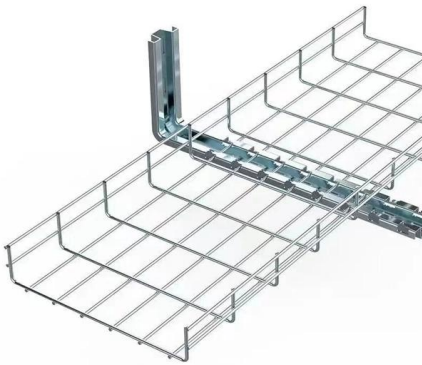
Typically used steel tapes by fiber optic cable manufacturers are Stainless Steel tape (SS tape) and Electrolytically Chrome Coated Steel tape (ECCS tape). Stainless steel is costly and adds

### Armoring Shielding Insulation Copolymer Coated Steel

Steel Tape: The copolymer coated steel tape ensures durability and



Webit Cabling



### High Quality Copolymer Coated Steel Tape for Cables

Shop high-quality copolymer coated steel tape for efficient optical fiber communication. Ideal for cables and armored applications. Bulk orders available.

### D-Series Distribution

DX-Series Distribution Cable series with corrugated steel tape (CST) armoring. Ideal for installation where direct burial or rodent protection is required. The steel-armor



### Aksh OptiFibre Ltd. :: Optical Fibre Cables::Smartcore Steel Armoured

Armour of corrugated steel tape provides the necessary strength required for direct burial applications. The corrugated steel tape is copolymer coated at both sides.





### ECCS Tape - Anbao Corp.

The copolymer coated (ECCS) steel tape is made from high - quality cold rolled steel tape, and the copolymer film is made from EMMA material with excellent heat seal.



### GYTS Tight Buffer Armored Fiber Optic Cable

Perform routine evaluations of your optical fiber setup. Inspect the 1.6mm central strength member for rigidity. Assess  $0.15 \pm 0.015$  mm steel tape for damage or

### Cable Tapes & Shielding Cable Tapes for EMI

We supply materials pads in spools and master rolls. In addition, we also provide lubrication, corrosion and fire-resistant coatings. Decades in the business have



### InternetCableData-corrugated steel tape armoured cable en

Prysmian Group Direct buried cables Draka installation Optical cable for direct buried Cable Design Central Strength Member (CSM). Loose Tube containing fibres and filled with a suitable water



### Plastic Coated Steel Tape - Kontakt Grup Trade

Using the method of longitudinal wrapping, plastic coated steel tape can form a composite sheath of the optical fiber cable with the outside extruded polyethylene sheath to play a role of water

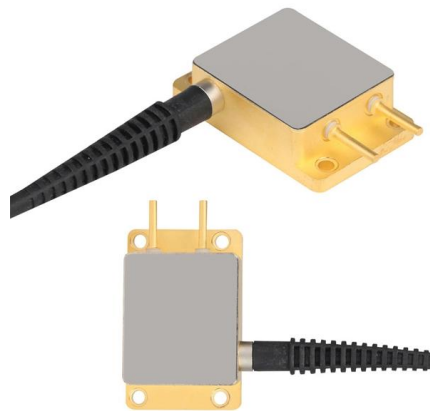


### Copolymer Coated Steel Tape (ECCS/Copoly (PE)

Copolymer Coated Steel Tape (FERPOL) is a semi-flexible composite material which Copolymer coated on various thicknesses of Steel (ECCS) foil. DijitalPort assures

### Copolymer Coated Steel Tape for Cable Armoring

Shanghai Metal Corporation is a trusted Copolymer Coated Steel Tape for Cable Armoring supplier in china, we have extensive inventory of Copolymer Coated



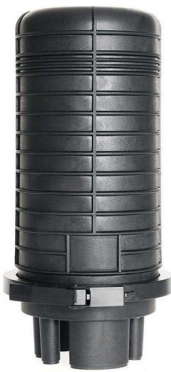
### Fiber Optic Cable in Pakistan

Aerial-Optimized Design Equipped with corrugated steel tape armor and phosphorus-coated steel wires, these cables provide superior tensile strength, safeguarding



### Application And Advantages Of High-Performance Plastic Coated Steel

Plastic coated steel tape, also known as laminated steel tape, copolymer-coated steel tape, or ECCS tape, is a widely used composite functional material in modern optical cables,



### Copolymer Coated Steel Tape,RLB

Copolymer Coated Steel Tape is used for communication optical Cable and shielding cable and waterproof cable.

### Armoring Shielding Insulation Copolymer Coated Steel

Steel Tape: The copolymer coated steel tape ensures durability and strength, making it ideal for cable wrapping and armoring. Insulation: With its high-temperature



### G-Series Subgrouping

Inner cable is a fully functional G-Series Subgrouping riser-rated cable High-performance components and construction The steel-armor is easily removed



### **COPOLYMER COATED STEEL TAPE**

Copolymer Coated Steel Tape (also called CCST) is mainly used as a shield and moisture-proof layer inside the "jacket" of a communication cable, optical fiber (or



### **Fibre Optic Cable**

Key Features: Fibre Optic Cables Application: Fibre optic connections. Suitability: Data transmission. For both indoor and outdoor installations. Standards & Fibre



### **Optical Fiber Cable - navank**

The copolymer coated (ECCS) steel tape is made from high quality cold rolled steel tape and the copolymer film is made from EAA material with excellent heat seal. It



### **Copolymer Coated Steel Tape for Cable Armoring**

1. Copolymer coated steel tape is widely used in shielding for telecommunication cables, power cables and fibre optical cables. 2. Good insulativity and shielding





## Contact Us

---

For datasheets, pricing, or custom high-speed optical interconnect solutions,  
please visit:

<https://syropy.com.pl>