

Components for connecting pigtaills



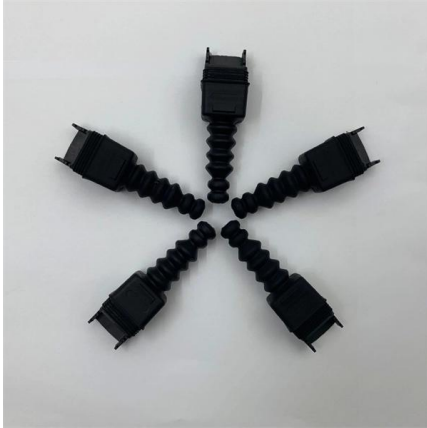


Overview

Pigtails usually come together with different connector types like SCs, LCs and STs, among others, thereby making them fit easily into any existing system without much hassle involved during integration stages; they are also made up of materials such as fiber optic or copper wires. It's a short wire with a connector installed on one end, such as a spade or ring terminal, while the other is left bare or blank. These components solve a common challenge: creating secure links between mismatched wires or devices.



Components for connecting pigtails



What Is a Pigtail in Electrical Wiring? A Complete Guide

Pigtails play a crucial role in ensuring safe and efficient connections within electrical systems, especially when dealing with multiple wires or limited

Understanding Pigtail Wire Harnesses: Key

Importance of Pigtail Wire Harnesses Versatility: They are adaptable to various applications, from automotive repairs to industrial machinery

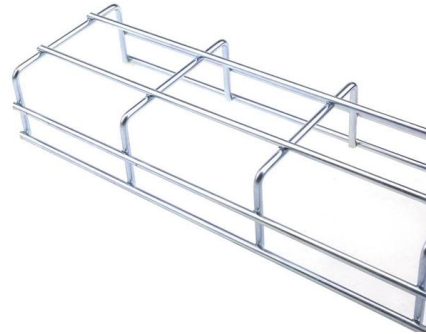


Comprehensive Guide to Fiber Optic Pigtails:

Fiber optic pigtails play a crucial role in the telecommunications industry, serving as the connection between optical fibers and other devices. As

What Is a Pigtail Connector? Types, Benefits, and

To help you identify the right component for your project, the table below outlines the differences between the most frequent applications. Why do



What Is a Pigtail in Electrical Wiring? A Complete Guide

It ensures a secure connection by combining wires with a wire connector, like a twist-on connector or a wire nut, and then linking them to the

Demystifying Wire Harness Pigtails: Your Essential Guide

Component-specific pigtails act in the same way as sensor-specific pigtails but are for components like lights, cameras, or other vehicle accessories. Adapter



How to Make Pigtail Electrical Wire Connections

How to Make a Pigtail Wire The National Electric Code requires a pigtail wire to be least six inches long. Electricians often cut





Wiring Connectors and Pigtails , Summit Racing

Choose from a huge selection of wiring connectors and pigtails, including quick-connect designs, waterproof wire connectors, Deutsch connectors, and much more.



Automotive Pigtail Connectors: Types and Applications

Automotive pigtail connectors are essential components in automotive and industrial applications. These connectors provide a secure and reliable connection for

Comprehensive Guide to Fiber Optic Pigtails , Gezhi Photonics

Dive into the world of fiber optic pigtails, their types, applications, and splicing methods. Enhance your network's performance with Gezhi Photonics. Keywords: Fiber Optic Pigtails, Fiber



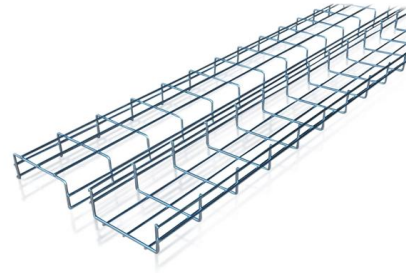
How To Make Electrical Pigtail Wire Connections

So, you need to consider the following factors when picking pigtails for vehicle PCBs, charging connectors, and more.



Tips for Using Pigtails To Electrify New Components in a

Using industry-standard pigtails enhances your project's durability and long-term functionality. Safeguarding Connections Against Failures Ensuring secure and



What is a Pigtail Connector? A Complete Guide

Whether it's an electrical system in your car, home, or factory, the quality of the connection is essential, and that's where pigtail connectors come in.

pigtail connections

FAQ Why are pigtail connections recommended for electrical devices? Pigtails isolate devices from the main circuit, allowing individual components like outlets or switches to be serviced without disrupting



pigtail connector

Types and Components of Pigtail Connectors Selecting the correct bridging components ensures optimal performance across electrical systems. We'll guide you through critical design variations that



The Ultimate Guide to Pigtail Cable Assemblies and

To make efficient communication possible across different applications, pigtail cable assemblies and connectors are crucial in the ever



FindPigtails , Automotive Connectors

Discover a wide range of automotive connectors, pigtails, and plugs at findpigtails . Lightning-fast search, helpful tools, and how-to repair guides



Understanding Pigtail Wire Harnesses: Key

When selecting a pigtail connector, consider the following: Connector Type: Ensure it matches the device or component specifications. Wire Gauge:



What Is an Electrical Pigtail?

How Does an Electric Pigtail Work? An Electrical Pigtail is usually not a standalone project and is often used to make other electrical replacements or repairs. For example, you can



What Is a Pigtail Connector: Types, Uses & Guide

At its simplest, a pigtail connector is a connectorized stub cable: one end comes pre-terminated with a specific connector (RF, fiber, or electrical), and



What Is a Pigtail Connector? Types, Benefits, and

It serves as a bridge, allowing technicians to repair specific connection points without disturbing the rest of the system. Whether you are



What Is a Pigtail Connector? Types and Applications , CZT

A pigtail creates a single, clean connection point: all circuit wires splice together with the pigtail using a wire nut, and the pigtail's other end connects to the device terminal.



What Is a Pigtail Connector: Types, Uses, and Selection

Pigtail connectors consist of copper, aluminum, and various insulating materials. However, the choice of materials depends on the connector's application and





What Is a Pigtail Connector

They are adept at connecting a short wire to a longer one, effectively bridging the gap between components that are spaced apart. Additionally, pigtail connectors



Contact Us

For datasheets, pricing, or custom high-speed optical interconnect solutions, please visit:
<https://syropy.com.pl>