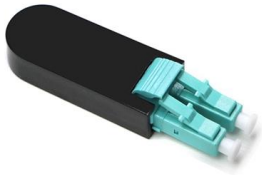


Connecting a network patch panel to a switch





Connecting a network patch panel to a switch



Proper way to connect Patch Panel to Switch

Usually, a 24 port copper patch panel has 3 sections and each section has 8 ports. When facing the patch panel, take the right side 12 ports from the PP and use the right side wire

Patch Panel vs Switch: Ultimate Guide

Patch Panels: A patch panel is a mounted hardware assembly that contains a series of ports, typically used for organizing and managing cabling in a network. It acts as a static, or passive,



How To Connect A Patch Panel

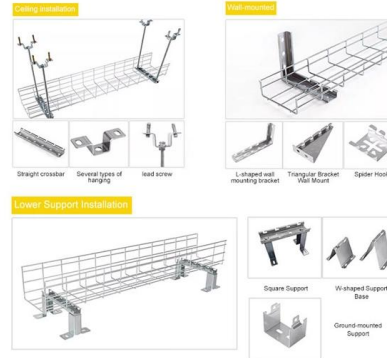
This article will explain how to connect a patch panel to ensure your network's best performance. The use of patch panels is becoming increasingly

Switch and Patch panel setup

From there you mount your switch nearby and use (appropriately named) patch cables to connect each port on your switch to a port on the patch



INSTALLATION METHOD



How to Install Patch Panel and Switch?

This installation guide focuses on what a patch panel does, patch panel installation basics, and how to connect patch panel to switch while keeping

Switch and Patch panel setup

All the network drops to your various rooms end up at the patch panel. From there you mount your switch nearby and use (appropriately named)



Connecting the Dots: Understanding Patch Panels and

Learn about the patch panel and switch diagram, and how it helps in organizing and managing network connections effectively.





How To Connect A Patch Panel To A Switch

In conclusion, connecting a patch panel to a switch is relatively easy. By following the six steps outlined above, you can connect your patch panel to your switch without any problems. Your



How to Connect a Patch Panel to a Switch

Plug an Ethernet patch cable into each port on the patch panel and plug the other

How to use a home network patch panel?

I'm planning a home network in a house that's not built yet. One recommendation is to add network sockets in various rooms and have them all end in a central place,



How to Connect a Patch Panel to a Switch

A patch panel is a device that all of the Ethernet wires terminate into for a computer network. From there, the network cabling is distributed to a switch. The patch



Patch Panel Installation: 11 Steps to Installing a Network

A patch panel is a device that the Ethernet wires terminate into for a computer network. Learn more about the steps to installing yours!



How To Set Up A Network Switch And Patch Panel

By following this comprehensive guide, you will gain the knowledge and confidence to set up a network switch and patch panel effectively, laying the foundation for a robust and reliable

Patch Panel vs Switch: What's the Key Difference in

A clear breakdown of patch panel vs switch. Understand passive cable management (Layer 1) and active data routing (Layer 2) for a robust,



What is a Patch Panel, and What is It Used For?

Patch panels simplify cable management, enhance troubleshooting, and provide documentation and traceability for all connected workstations. A



How To Install A Patch Panel And Switch

Installing a patch panel and switch can seem daunting at first, but with the right tools and guidance, it can be a simple and straightforward process. In this article, we will go step-by-step through the



Patch Panels: A Complete Guide

A modern patch panel works a little like a network switch, but instead of being a stand-alone device with internal networking hardware, they are merely

How To Wire Up A Patch Panel

Patch panels provide an easy way to connect various devices to the main network and also make it easier to troubleshoot and diagnose network



How To Connect A Patch Panel

Connecting a patch panel is a relatively simple task that can save you time and money when it comes to setting up and managing a network system. In



Intellinet Network Solutions CAT-6 UTP Patch Cable, 3 Ft., Black

Enjoy clear and secure data transmissions with the Intellinet Network Solutions CAT-6 Patch Cable. This network cable enables a convenient and reliable connection from one network device, such as a



SC connector  X 12

How to Installing a Network Patch Panel and Switch

When connecting devices in data centers, two common components include a patch panel and a network switch. A well-designed structured cabling

From Patch Panel To Switch Ep.1: Real-World Business Switch Network

Today's episode is all about connecting a patch panel to a network switch. In this series, we continue where we left off in my 'Real-World Cabling' series, and continue on to building and



5 Essential Patch Panel Connection Diagrams for Optimal Network

A patch panel connection diagram documents the physical connections between network devices mapped to a logical network diagram. It's a visual representation of the physical layer of a





How To Wire A Patch Panel

Patch panels are an essential component in network cabling to organize and manage the twisted pairs of Ethernet cables. They act as a physical hub where all the cables from outlets and



How To Wire A Network Patch Panel

A network patch panel is a device that connects all the network cables from various rooms or locations to the central network hub or switch. The patch panel helps to organize different cables

How To Set Up A Patch Panel And Switch

In conclusion, setting up a patch panel and switch may seem challenging, but it is a vital process that makes it easy to manage your network. By following the steps mentioned above, you



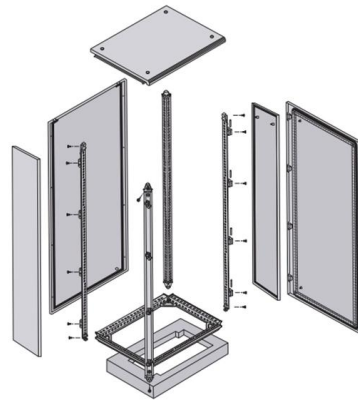
How to Wire Ethernet Patch Panels Properly

How to Wire Patch Panels When it comes to wiring patch panels, you can follow these steps in order: Check the Panel The very first thing you want to do is check



Patch Panel vs Switch: Understanding Their Role in the

Explore the contrast between patch panel vs network switch in networking. Learn their distinct functions, appearances, and how to choose the



Back To Basics - Patching A Switch - Packet Pilot

To start we are going to take our patch panel and switch and divide them into 4 quadrants. This works even if the patch panel is in thirds. The idea is simple, divide the ports

Contact Us

For datasheets, pricing, or custom high-speed optical interconnect solutions, please visit:
<https://syropy.com.pl>