

Distribution box cover 25





Distribution box cover 25

REINFORCED VIRGIN PVC TRUNKING
Superior Crush Resistance



37.6MPA
Tensile Strength

2856MPA
Elastic Modulus

9.8KJ/M²
Impact Strength

1.54G/CM
Density

ISO 9001
ROHS
DNV GL

Plastic cover for distribution boxes - Distribution box - Distribution

Details Home > Distribution boxes > Distribution box > Plastic cover for distribution boxes



Waterproof Electrical Distribution Box, SHPN Series

The Waterproof Electrical Distribution Box, with its high-definition transparent cover, is a transparent panel that not only allows for easy monitoring of the internal

Terminal & Distribution Boxes , Enclosures , BPX

Discover Terminal & Distribution Boxes at BPX. High-quality Enclosures with fast UK delivery and expert UK support for your industrial projects.

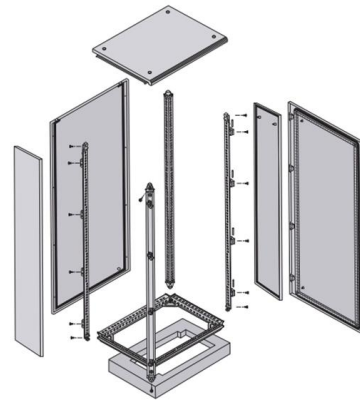
Waterproof and dustproof, reliable and safe

The outer classic sink design allows the sealing ring of the cabinet and door to be seamlessly compressed without leaving a trace of gaps



POLY POOL

Wall distribution box - attach this distribution box to a wall in your home: thanks to the light grey colour, it matches the wall plaster and your electricity is distributed without the cables being visible!



Distribution Box Cover

Distribution box cover is a protective cover that provides extra protection to the junction box from external hazards. This distribution box cover is suitable for the installation of all kinds of switches,



smseace Distribution Protection Box, ABS Plastic Transparent Cover

Product name: Distribution protection box (design of 5 ways circuit breakers) Material: The shell is made of ABS plastic, the cover is made of transparent PC, the sealing ring is made of silicon rubber, and the guide rail is made of tin plate. Packing: 1PCS x power distribution protection box; 1PCS x35mm guide rail;



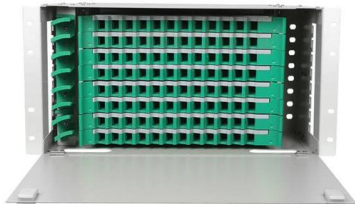
Plastic cover for distribution boxes - Distribution box - Distribution

Blank cover for distribution boxes L=108mm, 1x6 mod. (2x1mod.+8x1/2mod.)



METAL DISTRIBUTION BOARD JXF 25/25/15 , ELMARK

METAL DISTRIBUTION BOARD JXF 25/25/15 brand ELMARK with 3+2 warranty. Check out and the other products in the category Metal distribution boards.



Complete Guide For Distribution Boxes Types

Distribution boxes, also known as electrical distribution boards or panels, are pivotal components in electrical systems, ensuring the safe and organized distribution of

Distribution Boxes, Switch Outlets and Accessories

The range includes windproof cavity wall switch boxes and junction boxes with membranes for energy-efficient electrical installation. This facilitates energy



Breaker Box Distribution Protection Box, IP65 Clear Cover

This distribution box is designed for 5 ways circuit breaker, can be widely used for both indoor and outdoor applications. ?Openable Clear Cover?- You can observe the status of applications through



hubbellcdn

Hier sollte eine Beschreibung angezeigt werden, diese Seite lässt dies jedoch nicht zu.



Distribution enclosure, Distribution box

It is especially suitable for isolating lines in HVDC transmission and distribution systems, such as cutting off the high voltage direct current between solar panels and inverters.



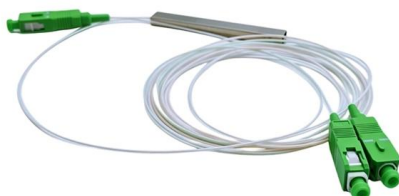
Distribution electrical enclosure, Distribution electrical

Find your distribution electrical enclosure easily amongst the 71 products from the leading brands (TAKACHI, Edit Elektronik, Safybox,) on DirectIndustry, the



Hensel DK2525G Box 25mm Term 205x255mm

The Hensel DK2525G is a DK cable junction box which includes a terminal with two clamping units per pole, two cable entries, a sealing range of Ø 17-30 mm and sealable lid fasteners.





MCB Box Plastic Covers

Discover transparent PC plastic covers for MCB boxes, IP40-IP65 rated, weatherproof & fire-resistant. Ideal for indoor/outdoor power distribution.



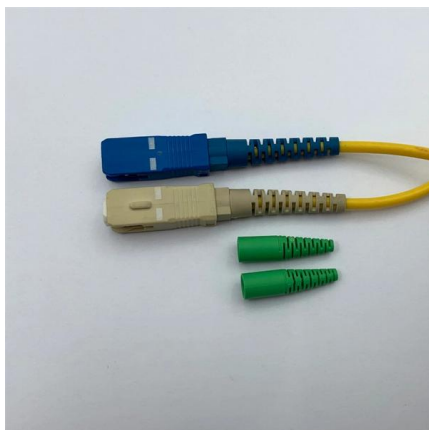
Plastic Transparent Cover, Power Distribution Box for Circuit

The blue cover is transparent so you can easily check circuit breaker state without open it. It is easy to install and convenient to use, simply mount it on your wall.



Catalogue 2022

The cover of alfanar Junction Boxes features a convenient time-saving design, allowing for fast and accurate installation. The practical design has a keyhole feature for easy removal and fixing of the



Power Distribution Panels , McMaster-Carr

Choose from our selection of power distribution panels, including square D circuit breaker boxes, electrical wiring and connecting, and more. Same and Next Day Delivery.



CATALOGUE General purpose enclosures Heavy duty and industrial

Polycarbonate boxes are available with a smooth surface (one single entry) or with multiple metric cutouts. They are available with a smooth surface or with multiple metric cutouts. Opaque gray or transparent



IP65 ABS Distribution Protection Box, 12 Way Waterproof Circuit

Reduce repetitive work from subtle points, improve work efficiency, and maintain daily safety inspections of power distribution motors. Suitable for 12 Way electrical panel DIN distribution box provides



HT5 Waterproof Panel Box with clear viewport, Breaker

Protect your electrical circuits with the HT Series Waterproof Distribution Box. Built from durable ABS plastic with a clear lid, this IP65-rated breaker box safeguards



1pc Plastic Distribution Box Transparent Cover Power

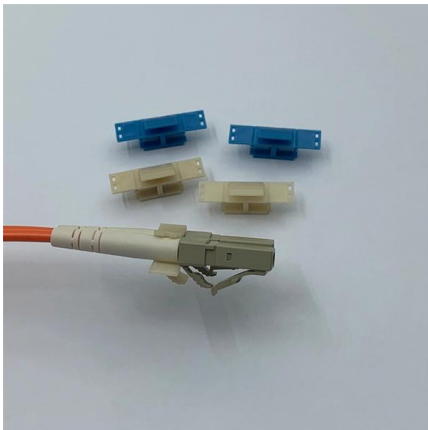
Product Description Features: Made of plastic material, this distribution box is sturdy. This distribution box is designed for 5-8 ways circuit breaker. The blue





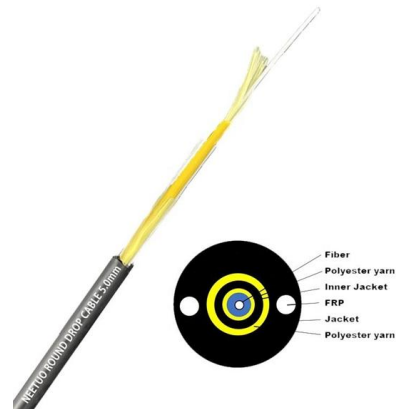
Distribution boxes , Ahlsell - We make it easier to be pr

Self-closing safety cover of clear plastic and equipped with a carrying handle and fastening holes. The sockets are protected with a miniature circuit breaker with C-characteristic.



IP65 ABS Transparent Cover Electrical Box, 5 Way

5 Way IP65 ABS Transparent Cover Electrical Box, Waterproof Distribution Protection Box for Circuit Breaker, ABS Power Supply Electronic



IP67 Waterproof Distribution Box Covers

Discover efficient distribution box cover solutions designed for optimal power distribution. Enhance your operations with reliable, durable equipment tailored to your needs.



Distribution Box Guide: Types, Components & Solutions

Understand distribution boxes (DB boxes) in 5 minutes. Learn about types, components, functions, and uses. Find the perfect DB box for your needs.



Amazon : Breaker Box

Waterproof Distribution Protection Box, ABS Plastic Breaker Electrical Box and Transparent Cover IP65, for Indoor Outdoor Wall Circuit Breaker (HT-2WAY) 100+ bought in past month
Add to cart



Contact Us

For datasheets, pricing, or custom high-speed optical interconnect solutions, please visit:
<https://syropy.com.pl>