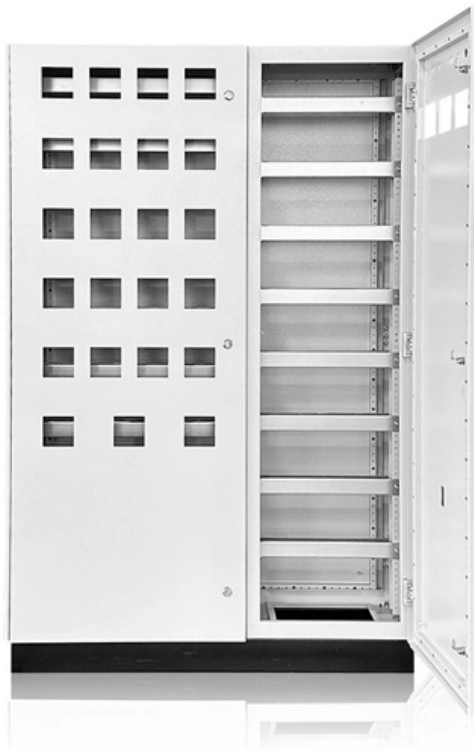


Dust cap for fiber optic terminal box





Overview

Plastic, rubber or metal dust caps for fiber optic connectors, ferrules and adapters. Here you can find fiber optic protection caps for several purposes: We offer dust covers for LC cable connectors and connector jacks as well as dust caps for SC or FC jacks. You can also obtain dust covers for unused adaptor slots of cable management patch panels, and dust protection caps for SFP. Their primary purpose is to prevent dust, debris, and other contaminants from entering the adapter and potentially damaging the sensitive fiber end-faces or connectors.



Dust cap for fiber optic terminal box



Universal Dust Caps for Fiber Optic Connectors

Need assistance selecting the right dust caps for fiber optic connectors or fiber optic caps for your network protection requirements? Our engineering team provides expert technical guidance on

StarTech LC SFP Dust Covers 10pk

This 10-pack of SFP dust covers provides an inexpensive way to protect your network switches and fiber optic equipment from dust and contaminants, by



Buy Fiber Optic Cable Cap Dust Caps With Lanyard , Alibaba

Buy in bulk fiber optic cable caps for FC/SC/ST/LC interfaces at low prices from \$0.03 to \$49.00. Wholesale orders available from 20 units, waterproof, and available in large volumes. Ideal for

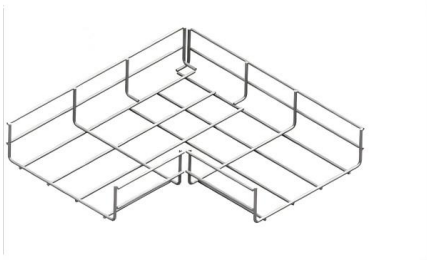
Why Adapter Dust Caps Are Essential for Clean and

While high-performance components like transceivers, patch cords, and adapters often receive the spotlight, adapter dust caps are one of the most



LC Fiber Optic Dust Caps for Devices, Cables and End

About this item COMMERCIAL FIBER PROTECTION - Our LC Fiber optic dust caps keep your Fiber operational in the harshest of conditions. FiberShack dust and



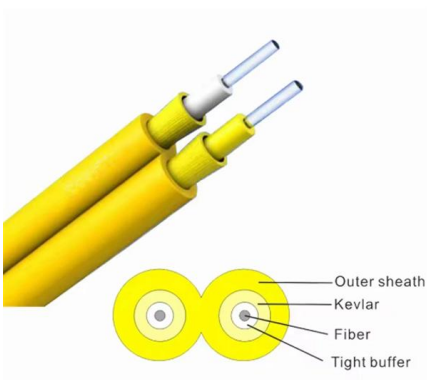
Adapter Dust Cap, Fiber Adaptor Dust Cap For Sale , Fiberinthebox

Adapter Dust Caps are used for protecting fiber adapters and couplers from contaminates and damage that can cause serious network slowdowns or crashes. Fiberinthebox provides optical adapter dust



Fiber Optic Terminal Box Guide: Choosing the Right

Pair the enclosure with high-quality jumpers and trunks; the neatest box can't compensate for low-grade fiber optic cable or abused connectors.





Buy fiber optic dust caps online , Fiber24

Discover a wide selection of fiber optic dust caps at Fiber24. Precisely fitting, reusable, and ideal for modern fiber optic installations.



Where to Buy Fiber Optic Dust Caps , Markertek

Browse Markertek's vast selection of fiber optic dust caps. We have the best prices so find what fits your needs and check out our selection today!



Why Adapter Dust Caps Are Essential for Clean and

Adapter dust caps are specially designed covers placed on the open ends of unused fiber optic adapters. Their primary purpose is to prevent dust,

Waterproof and dustproof, reliable and safe

The outer classic sink design allows the sealing ring of the cabinet and door to be seamlessly compressed without leaving a trace of gaps



Fiber Optic Dust Caps - FiberShack

Protect your Fiber from contaminants. A Dirty Fiber end face is the number 1 cause of most Fiber Optic problems. After cleaning your Fiber End face or Port, protect





Fibershack

COMPLETE COVERAGE - Our Optical Dust Caps snugly cover ST bulkheads. They are an essential piece in your Fiber Optic tool kit & Fiber Optic Cleaning Kit



1075KWHH ESS

SC, FC, LC, ST, MU Fiber Connector & Adapter Dust Caps

Plastic, rubber or metal dust caps for fiber optic connectors, ferrules and adapters. SC, ST, FC, LC, MU, 1.25mm & 2.5mm. In different colors, with jacket strap.

Dust Cap Fiber Optic Connectors - Mouser

Mouser offers inventory, pricing, & datasheets for Dust Cap Fiber Optic Connectors.



Dust & Safety Caps

Replace lost or broken dust and safety caps. Protect your fiber connectors from contaminants that will cause damage to fiber ends. View our extensive inventory.



50 Pack RJ45 Dust Cover Cap Ethernet Port Plugs

Amazon : 50 Pack RJ45 Dust Cover Cap Ethernet Port Plugs Network Switch Port Protector for Fiber Optic Copper RJ45 Female Fiber



Universal Dust Caps for Fiber Optic Connectors

Our fiber optic dust caps are suitable for fiber connector protection, LAN, data center, and FTTX applications. Each package contains 25, 50, or 100 caps made of durable plastic.

Fiber Termination Box 2025 Guide for IP65 and IP68

Outdoor fiber terminal boxes feature IP65 or IP68 ratings, ensuring dust-tight and water-resistant or waterproof performance. Made from high-quality



Amazon : Fibershack

COMPLETE COVERAGE - Our Dust Caps snugly cover ST, SC/APC, FC, SC ends and are an essential piece in your Fiber Optic tool kit
TRUSTED SUPPLIER -



Contractor Fiber Optic Dust Cap Kit

Dirty Fiber Causes 90% of signal issues, avoid that inefficiency with our dust cap kit Since 1989 - Pacific Satellite Inc & our brand FiberShack has been installing



Adapter Dust Cap, Fiber Adaptor Dust Cap For Sale , Fiberinthebox

Fiberinthebox provides optical adapter dust caps in different types, such as FC, LC, SC, and ST adapter styles. They are adapted to fit over different optical fiber adapters.

Amazon : Fiber Optic Dust Caps

Discover durable fiber optic dust caps designed to prevent contamination. Shop snap lock cases and bulk packs.



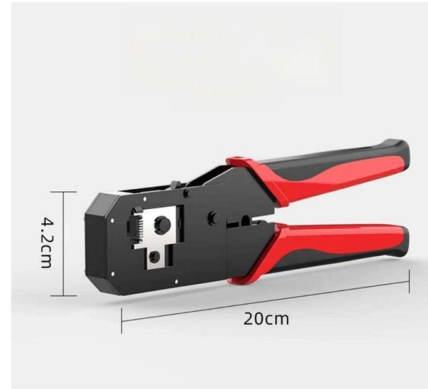
Fiber cable dust cap for MPO connectors

Indoor 4-Port Metal Fiber Optic Wall Mount Terminal Box - Black Dust Caps SKU: FO-DCMPO-100 Price: \$39.75 CAD



Contractor 100-pack

COMMERCIAL GRADE: Universal Dust Caps for ST Bulkheads & Connectors, ideal for any toolkit when on client sites. These are an essential accessory for every



Complex ST Fiber Connector Metal Dust Cap HF-STDC

Protect your ST connectors from damage and contamination with this 100-pack of ST Fiber Connector Metal Dust Cap with Chain for Chassis from Complex. Precision

Contact Us

For datasheets, pricing, or custom high-speed optical interconnect solutions, please visit:

<https://syropy.com.pl>