

Enterprise Cable Tray Management Regulations





Overview

The International Electrotechnical Commission (IEC) provides detailed guidelines for cable tray systems under IEC 61537. This standard outlines the construction requirements, testing methods, and performance parameters for cable trays and related support systems. Cable trays play a vital role in supporting electrical cables and wires in commercial, industrial, and utility installations. For proper installation, design, and maintenance, adherence to international standards is essential.



Enterprise Cable Tray Management Regulations

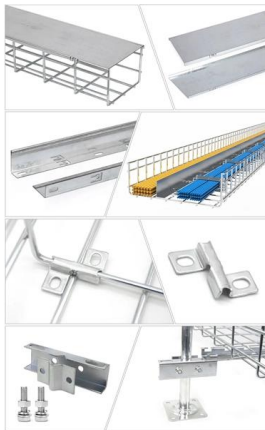


Cable Tray Technical Guide A practical guide to product selection and

Cable Tray Technical Guide A practical guide to product selection and installation This guide for engineers and installers has been developed by ABB as a practical reference regarding cable tray

How to Manage Cables in Cable Trays: Principles and Methods

Learn how to manage cables in cable trays effectively with our comprehensive guide for cable classification, protection, and installation to ensure electrical system safety and efficiency.

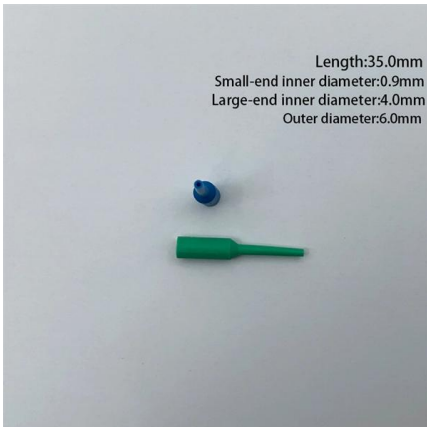


Demystifying Light-Duty Cable Tray Compliance , CMW

Explore the intricacies of light-duty cable tray compliance in our comprehensive guide. Understand regulations, types, and design considerations to ensure a safe and efficient electrical

IEC

This document specifies requirements and tests for cable tray systems and cable ladder systems intended for the support and accommodation of cables and possibly other electrical



Best Practice Guide to Cable Ladder and Cable Tray Systems

Introduction This publication is intended as a practical guide for the proper and safe* installation of cable ladder systems, cable tray systems, channel support systems and associated supports.

Electrical Containment Systems

Commercial Premises IOur electrical containment solutions, including trunking, cable trays, and racking, ensure businesses operate efficiently with well-organised and



Fundamentals of Cable Management: Best Practices

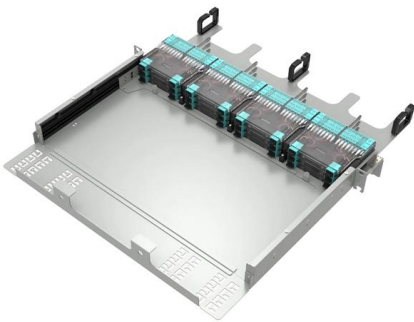
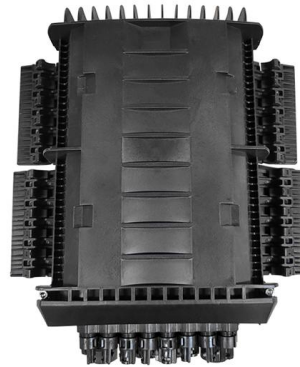
Discover the importance of cable management in network infrastructure, explore the components and principles of effective cable





Cable Tray Technical Guide A practical guide to product selection and

This guide for engineers and installers has been developed by ABB as a practical reference regarding cable tray characteristics, installation, and requirements.



Enhancing Workplace Safety with Cable Trays

Periodic Cleaning Regularly clean cable trays to remove dust, debris, and any potential fire hazards, ensuring the system operates efficiently and safely. Conclusion Enhancing workplace

How to Choose the Best Cable Management for Your

The best cable management depends on your environment and goals. See how trays, raceways, and ties perform in real industrial applications.



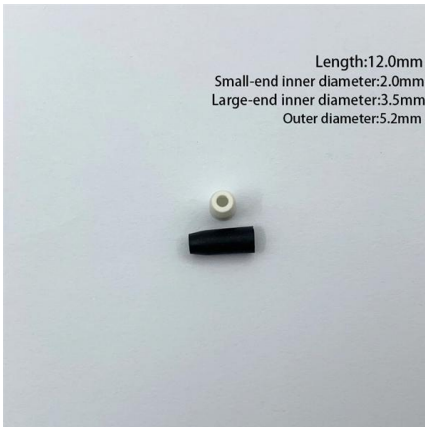
Cable Tray Systems: Requirements and Best Practices

This article explains the main requirements and good practices for cable tray systems, including tray types, materials, loading, supports, bonding, cable selection, and installation details.



IEC Standard for Cable Tray: Complete Technical Guide

It's not just about regulation--it's about ensuring long-term efficiency and safety in cable management systems. Know more about Contact Resistance



IEC 61537:2023

IEC 61537:2023 specifies requirements and tests for cable tray systems and cable ladder systems intended for the support and accommodation of cables and

Cable Tray Management: Benefits, Cost, Purpose for

Maximizing Efficiency: Unraveling the Benefits of Cable Tray Management for Industrial Users
When discussing industrial electrical cabling,



MEKA PRO THE CABLE MANAGEMENT HANDBOOK

INTRODUCTION Meka Pro manufactures high-quality cable management systems in accordance with many standards, regulations, and instructions. The aim of this book is to present essential parts of





IEC Standard for Cable Tray: Complete Technical Guide

One of the most recognized frameworks globally is the IEC standard for cable tray systems. This standard ensures safety, durability, and performance



Regulations and Precautions for Cable Tray Installation

In modern architectural and industrial facilities, the correct installation of cable trays not only improves cable management efficiency but also ensures the safe operation of electrical systems. However,

Data Center Cabling Guide , Snake Tray

Many large enterprises such as automotive manufacturers, airlines, financial institutions, utilities, cable TV providers, national retailers, software giants--really

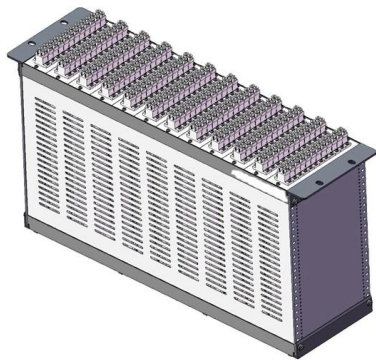


Compliance Requirements for Instrument Cable Trays

Installing instrument cable trays properly and in compliance with relevant standards is crucial to ensure safety, functionality, and durability. Below is a detailed guide

Cable Tray Standards , Cable Management ,

Standards voestalpine Metsec Cable Tray Systems generally conform to BS EN 61537 Cable management - cable tray systems and cable ladder systems.



Enclosure Cable Management , Wire Mesh Tray

Well-organized cable layouts also simplify installation, troubleshooting, and ongoing maintenance. RSP Supply offers a comprehensive range of enclosure cable

Best Practice Guide to Cable Ladder and Cable Tray Systems

This publication is intended as a practical guide for the proper and safe* installation of cable ladder systems, cable tray systems, channel support systems and associated supports.



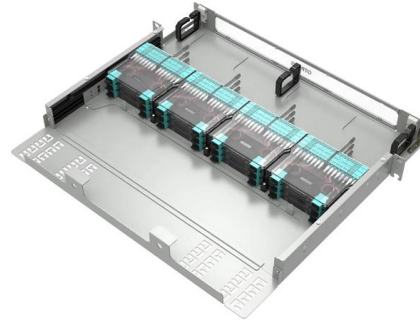
Cable management for food and beverage facilities

When outfitting or installing a new system, there are two primary cable management options: the traditional conduit system and an open cable tray system. Opting for

How Cable Trays Keep Industrial Operations Running Smoothly



Cable trays improve safety in industrial environments by organizing and securing electrical cables, reducing the risk of tripping hazards, preventing cable damage, facilitating



Cable Tray Standards

NEMA VE2: National Electrical Manufacturers Association Standard for Cable Tray Installation Guidelines. IEC 61537: International Electrotechnical Contractors Standard for Cable

Codes and Standards , Cable Tray Institute

The Cable Tray Institute is making available the current edition of this practical guide for the proper installation of aluminum or steel cable tray systems. These guidelines will be useful to engineers,



Network Cabinet & Rack

BEAMA Best Practice Guide to Cable Ladder & Cable Tray Systems

BEAMA Best Practice Guide to Cable Ladder & Cable Tray Systems 05 November 2014 Building Electrical Systems Cable Management Return to listing



Cable Tray Systems: Requirements and Best Practices

Comprehensive guide to cable tray systems requirements: tray types, materials, loading, supports, bonding, routing, and best practices for safe electrical cable management.



Cable Trays Manufacturer & Supplier in India

Ajay Industrial Cable Trays - Durable & Safe Electrical Management Solutions Ajay Industrial Corporation Limited (AICL) is one of the leading cable tray

Contact Us

For datasheets, pricing, or custom high-speed optical interconnect solutions, please visit:
<https://syropy.com.pl>