

Fiber optic cable FC connector thread





Overview

The FC connector is a with a threaded body, which was designed for use in high-vibration environments. For use with Polarization-Maintaining Fiber, we offer the 30125D2 FC/PC style connector. Once the key is aligned, it can be locked into place by adding a drop of superglue in the slot near the. A fiber optic connector is a mechanical device used to align and join optical fibers, enabling light to pass through with minimal loss.



Fiber optic cable FC connector thread



What Are The 5 commonly used Types Of fiber optic connectors?

Fiber optic connectors come in a wide variety of types, including LC, SC, ST, FC, MU, DIN connectors, as well as Rosenberger Q-RMC/NEX10 connectors, and more. But which five are the most

Fiber Connector Types: A Comprehensive Guide 2025

The FC connector features a threaded coupling, making it highly secure in high-vibration environments such as factories, railway networks, or



Used 1000x Fiber Optic Cable Dust Cap tutamen FC ST SC

When you click on links to various merchants on this site and make a purchase, this can result in this site earning a commission. Affiliate programs and affiliations include, but are not limited to, the eBay



Fiber Optic Terminology & Definitions , Fiber Terms Guide

What is a fiber optic connector and what are the different types? A connector is located at each end of the fiber patch cable to provide a cabling attachment to the



FC High-Performance Connectors , Amphenol-Fiber

Amphenol's FC connectors effectively terminate optical fiber in a variety of network applications. The connector is secured using a threaded coupling nut, providing a

FC/PC Fiber Connectors: Single Mode and Polarization-Maintaining

Threaded FC/PC connectors are designed for high-vibration environments. The "PC" stands for "physical contact" because these connectors allow the surfaces of two connected fibers to be in



SFP Fiber Optic Connector Types: LC, SC, MPO Explained

FC connectors are primarily found in older single-mode fiber networks and precision optical applications, not in modern SFP interfaces. Their threaded, screw-on mechanism provides stable alignment but





FC Series

The FC connector is a fiber optic connector with a screw thread locking mechanism to withstand high-vibration environments Radiall's FC connector is composed of a plated nickel housing and a 2.5 mm

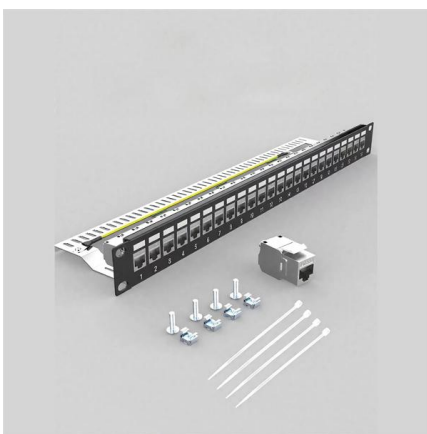
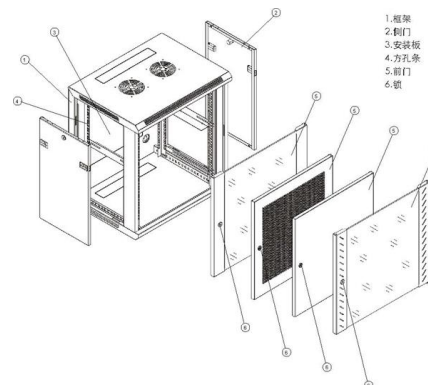


Fiber Optic Cable Assemblies

Fiber Optic Cable Assemblies This email address is associated with more than one company. Please select the company you'd like to login to to continue:

FC Fiber Connector -- Specs, Polish Types & Uses , CZT

The FC connector uses a 2.5mm ceramic ferrule -- the same diameter as SC and ST connectors -- to hold and align the fiber. The defining feature is the threaded coupling nut that



FC Fiber Pigtail With Single Mode Cable Simplex

This FC pigtail is a multimode cable with high-grade FC UPC fiber optic connector on one end, another end unterminated. Pigtail can configure single mode or

Customized Polarization Maintaining Patch Cord - FC, LC, MPO



Available in customized connector combinations such as FC/APC to LC/UPC or MPO to FC/UPC, and supporting both slow axis and fast axis alignment as per your project requirements,



FC Connectors

FC connectors are threaded and typically have a 2.5mm ceramic or stainless steel ferrule for insertion into the fiber.

FC Connector Explained

The FC Connector offers a durable, threaded design for secure fiber optic connections. It is cost-effective and supports high-speed data transmission.



- IP65/IP55 OUTDOOR CABINET
- ALUMINUM
- OUTDOOR ENERGY STORAGE CABINET
- OUTDOOR EQUIPMENT CABINET



- 50KW/100KWH
- HIGHER POWER OUTPUT IN OFF-GRID MODE
- CONVENIENT OPERATION & MAINTENANCE
- PRE-WIRED

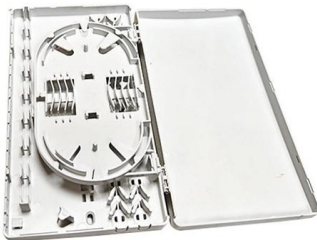
Fosco Connect Leviton FC Thread-Lock Connector Single Mode

APPLICATION Field termination of single mode and multimode fiber optic cable. STANDARDS COMPLIANCE Meets or exceeds all applicable standards. Complies with TIA/EIA-568-B; and meets



Distributors: Splice Boxes & Optical Network Terminal

Comprehensive selection of splice boxes, trays and more for your fiber optic network Splice boxes and splice distributors are essential for a reliable fiber optic cabling



Fiber Optic Cable Assemblies

In Stock Only Manufacturer Connector Type Cable end 1 Connector Type Cable end 2 Cable Length Number of Conductors Show more filters 9448 Results List Table Compare Product Banner

Fiber Optic Connectors

FC fiber optic connectors are specifically designed for telecommunication applications and provide non-optical disconnect performance. Designed with a



FC Type Fiber Optic Connectors

Note: Please take utmost care when inserting FC plug into a FC adapter. When applying excessive force to the FC plug or inserting in an odd angle, the zirconia sleeve within the adapter might be damaged



FC To FC Multimode Fiber Patch Cable

Our fiber optic jumper is available in single mode and multimode type, which features a range of fiber optic connectors type sc/lc/fc/st/e2000. Cable color, fiber



FC connector

The FC connector is a fiber-optic connector with a threaded body, which was designed for use in high-vibration environments. It is commonly used with both single-mode optical fiber and polarization-maintaining optical fiber. FC connectors are used in datacom, telecommunications, measurement equipment, and single-mode lasers. They are becoming less common, displaced by SC and LC connectors. The FC connector h

Fiber Optic Cables , Fiber Patch Cables , Patch Cords,

Fiber Patch Cables, Multimode & Singlemode Duplex Fiber Optic Cables, Secure Order Fiber Patch Cords, Preferred Mil. Edu. Gov. Pricing, Same Day Shipping



FC Connector , Precision Fiber Optic with ACA

The FC connector by DIAMOND SA is a robust, high-precision fiber optic solution with threaded coupling and ACA technology for low-loss, vibration-resistant



OptiTap® Fiber Connectors: 2026 Buyer's Guide

Evaluate OptiTap® fiber optic connectors for 2026 FTTH networks. Analyze IP68 ratings, deployment trade-offs, purchasing criteria, and installation risks.



Fiber Optic Cables

In Stock Only Manufacturer Number of Conductors Wire Size Connector Type Cable end 1 Cable Length Show more filters 1321 Results List Table



Complete Guide to Fiber Optic Connectors and Splicing

Learn about fiber optic connectors & splicing, types, tools, installation tips, and maintenance for reliable high-speed internet. Start optimizing today!





Contact Us

For datasheets, pricing, or custom high-speed optical interconnect solutions,
please visit:

<https://syropy.com.pl>