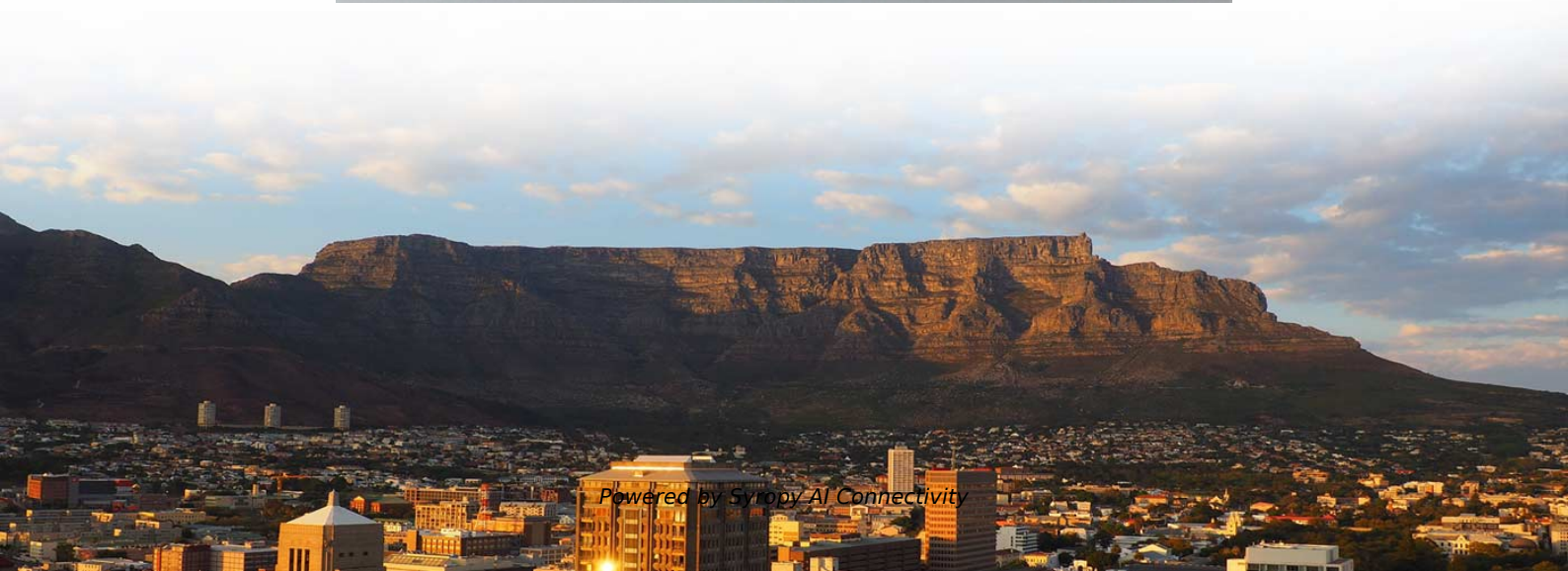


# **High Steel Frame Foundation for Distribution Box**





## High Steel Frame Foundation for Distribution Box

---



### Foundations for Steel Buildings

See available foundations for steel buildings and find the right solution for your construction project.

### Different Types of Foundations for Steel Structures

The foundation must be designed to support the weight of the steel framework, resist environmental forces, and accommodate soil conditions. In this



### Construction of Steel Frame Structure Foundations,

Construction of steel framed structures includes construction of its foundations, columns, beams and floors systems. Construction phases of structural steel

### Power Transmission Foundations

MAGNUM® Helical Piles provide a fast, efficient foundation solution for power transmission infrastructure. Installed with compact equipment and minimal site

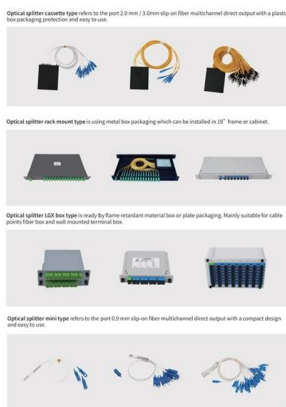


### Construction of Steel Framed Structures

The construction of steel framed structures involves several phases, each of which contributes to the overall strength and stability of the building. From the foundation to the final

### Foundation Industry Metal Enclosure IP65 Power

Product Description GD-JXF series foundation box products all use cold-rolled steel plates, and the surface is treated with epoxy resin electrostatic spraying, which is



### Post-Tensioned Box Girder Design Manual

Preface This Manual contains information related to the analysis and design of cast-in-place concrete box girder bridges prestressed with post-tensioning tendons. The Manual is targeted at Federal,



## Good practice in the design of concrete and steel

Important design guidelines for foundations of various high-voltage equipment, substation buildings, trenches for control and power cables.



## Steel Structure Foundations

Whether you're constructing a large factory or a high-rise residential building, our



## Huijue engineering specific Fiber optic

HJ GROUP offers a wide variety of product types for you to choose from.



## Steel Piles in Foundation Design

Steel piles are a common choice for foundation systems, especially for large structures that require substantial load-bearing capacities. These piles, which can be rolled sections, fabricated



## The Norden High Density Floor Standing Fibre Optic Distribution Frame

The Norden High Density Floor Standing Fibre Optic Distribution Frame is a durable and versatile solution designed for efficient fibre management in high-demand environments. Made from high



## Rack-supported structures and AS/RS: innovation in

If a building may need to be repurposed in the future, or doubles as a manufacturing center, a steel frame may still serve you best. But perhaps the most beneficial

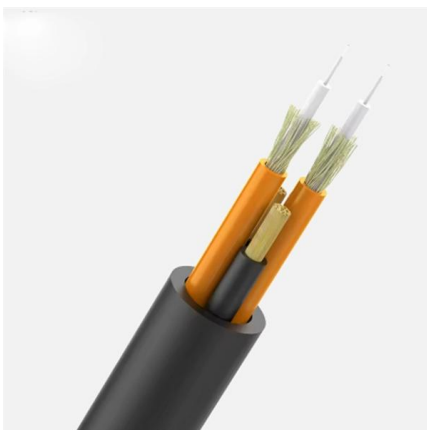


## Substation Structure in Electrical Power Distribution

Learn about substation structure including design, types, and engineering solutions. Discover the importance of steel, concrete, and high-voltage substation

## Optimizing Steel H-Frame Foundations: Ameren's

Concern grew at Ameren around following the traditional setting depths for H-frames with traditional backfill for a steel H-frame structure. Was it safe to assume steel



## JXF Foundation Metal Electrical Distribution Box

JXF Foundation Metal Electrical Distribution Box offers IP55 protection, cold rolled steel, and customizable options. Ideal for waterproof and dustproof needs., Alibaba



### Toonice Jxf Foundation Industry Metal Enclosure IP65

Toonice Jxf Foundation Industry Metal Enclosure IP65 Distribution Box, Find Details and Price about Jxf Distribution Box from Toonice Jxf Foundation Industry Metal



### Optimizing Steel H-Frame Foundations: Ameren's

Ameren identified several transmission line projects that require the use of steel H-frame structures with traditional direct embed foundations using crushed rock

### Foundation Industry Metal Enclosure IP65 Power

GD-JXF indoor metal enclosure box is designed to be assembled into the distributing board with various control functions according to the type of components,



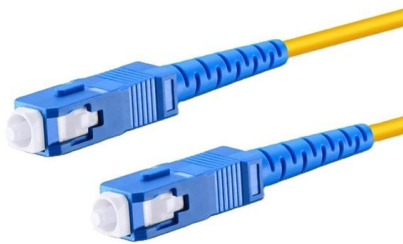
### Walraven Maxx modular steel support frame

Walraven Maxx modular steel support frame  
Build strong, build smart, with Walraven Maxx  
The use of heavy-duty modular steel systems like Walraven Maxx as M& E



## Power Transmission Foundations

MAGNUM® Helical Piles provide a fast, efficient foundation solution for power transmission infrastructure. Installed with compact equipment and minimal site disturbance, these steel



## Guide to Foundations for Metal Buildings

Explore our comprehensive guide to metal building foundations--discover expert tips on slab, pier, and perimeter footings for lasting

## 3 Common Steel Structures Found Inside a Substation

Three common steel structures found inside a substation. Before electricity can travel into your home, it must pass through a substation first. A substation is an



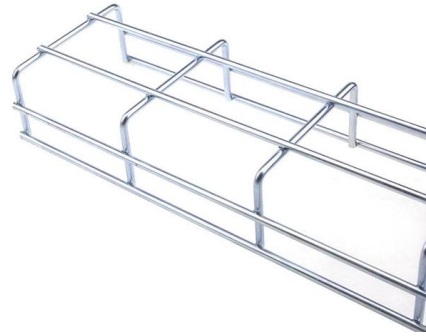
## Steel Portal Frame Structure: Design, Benefits

Discover the design, advantages, and common uses of steel portal frame structures. Ideal for warehouses, workshops, and cost-effective industrial buildings.



## Box Frames and a Goalpost Frames

Box frames prove beneficial if the foundations of a property are strong enough to support the weight above the frame when removing a wall. The beam on the

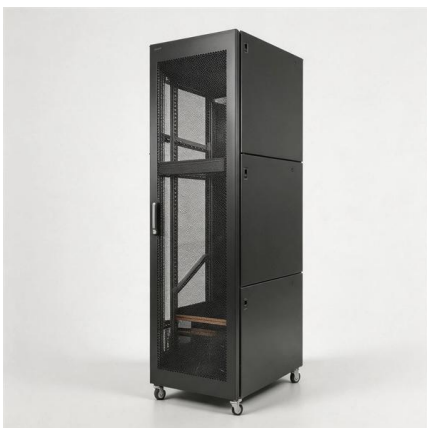


## The Complete Guide to Steel Frame Warehouse

At New Life Steel, we specialize in custom-engineered steel structures that deliver unmatched performance in diverse environments. Here's what you need to know

## Transmission towers for 345 kV, 500 kV, 735 kV and

Fabrimet lattice structure foundations are renowned for their resistance, no matter the conditions. The H-Frame steel structures manufactured by Fabrimet meet the



## A Practical Guide to Steel Building Foundation

Discover the essential steel building foundation requirements for a durable structure. Learn how to navigate soil analysis, concrete specs, and building codes.



## Steel Structure Frame Building

The Steel Structure Frame Building is composed of steel beams and steel columns. The steel frame can withstand the vertical and horizontal loads of the entire



## Contact Us

---

For datasheets, pricing, or custom high-speed optical interconnect solutions, please visit:  
<https://syropy.com.pl>