

High-precision CFP2 test report





Overview

Abstract: We demonstrate real-time transmission of 16 Tb/s (80x200Gb/s) over 1020km TeraWave ULL fiber with 170km span length using the world's first 200Gb/s CFP2 module with a record low power consumption less than 0. The CFP and CFP2 Test Modules support testing and verification of new high-speed network elements for 25GE, 40GE, OTU3, 50GE, 100GE and OTU4. They enable the development of 100G class products based on CFP and CFP2 technologies. The OIF has published Interoperability Agreements (IAs) that defined the physical and performance attributes of the optical components and modules that can be used for 100 Gbps DP-QPSK transmission including a dual polarization intradyne coherent receiver² (ICR) and an optical modulator³ capable of. A wide range of transponders, such as CFP2, CFP4, QSFP28 and SFP28, is supported.



High-precision CFP2 test report



Fluke Networks CFP2-100-M-NW CertiFiber Pro Multimode Optical Loss Test

Shop CertiFiber Pro Multimode Optical Loss Test Set Kit, Version 2 By Fluke Networks (CFP2-100-M-NW) At Graybar, Your Trusted Resource For Fiber Optic Test Equipment And Other Fluke Networks

CFP MSA Hardware Specification, Version 1.1

Description: This CFP Multi-Source Agreement (MSA) defines the CFP2 form factor of an optical transceiver to support 40Gbit/s and 100Gbit/s interfaces for Ethernet, Telecommunication and other

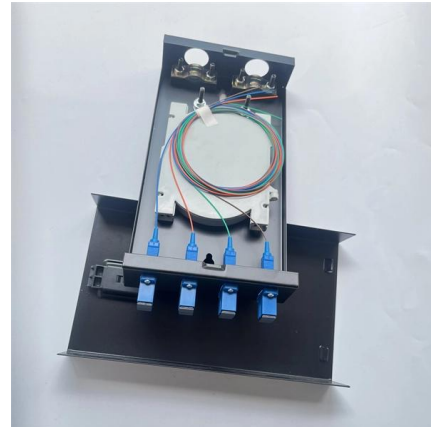


Fluke Networks CFP2-100-S CertiFiber Pro Optical Loss Test Set

Model: CFP2-100-S, UPC: 754082144946 This test set improves the efficiency of fiber optics certification. The Taptive user interface simplifies set-up, eliminates errors and speeds

FLUKE CertiFiber® Fiber Optic Loss Test Kit CFP2-100-Q CH Selling

The FLUKE CertiFiber® Fiber Optic Loss Test Kit CFP2-100-Q CH is a versatile, high-precision tool that provides accurate fiber optic loss measurements for both multimode and single-mode fiber systems.



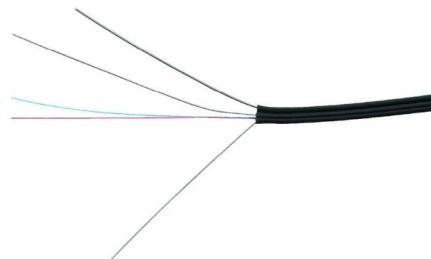
Testing the CFP2 Coherent Module for Metro Applications

Figure 1: CFP2 coherent module Acacia's engineering team led by Hongbin Zhang recently demonstrated real-time transmission of 16 Tb/s



InP Coherent Receiver Chip with High Performance and

We report an InP coherent receiver chip with the highest reported responsivity (0.15A/W) together with excellent RF bandwidth (32GHz) and 4x4 MMI width fabrication control ($\pm 60\text{nm}$ 90% population)



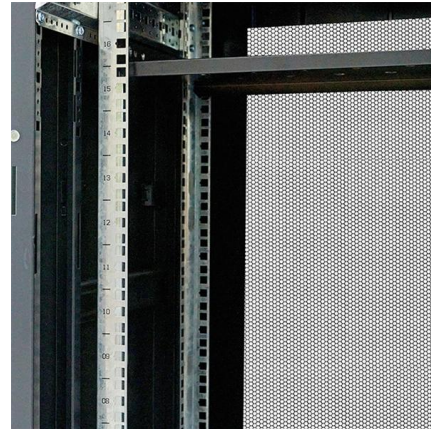
RADIO TEST REPORT FCC ID: 2BEL7-CFP2

RADIO TEST REPORT FCC ID: 2BEL7-CFP2
Product: MP4 player Trade Mark: FOCUS,
CAMPFIRE Model No.: Campfire Player 2 Family
Model: Campfire Player 3 Report No.:
S24010305401001 Issue



Real-time Transmission of 16 Tb/s over 1020km using

In this paper we report real-time transmission of 200Gb/s CFP2 signals over 1020 km TeraWave ULL fiber using a span length of 170km, much



CFP2 MP4 player Test Report DOSKING Antenna MCL Technologies

MP4 player ATN Test Report details for FCC ID 2BEL7-CFP2 made by MCL Technologies Inc. Document Includes Test Report DOSKING Antenna Test Report.

Nokia validates CFP2-DCO transceivers with VIAVI

Viavi Solutions Inc. (NASDAQ: VIAV) says that Nokia used the test equipment company's new ONT 800G FLEX DCO Module to validate the performance of



Application Note 306

Given that more than 60% of deployment issues are related to CFP or CFP2, it is now critical to test each CFP. EXFO's CFP health check supports both interfaces with a basic and advanced mode for

Fluke Networks CFP2-100-S CertiFiber Pro



Optical Loss

Fluke Networks CFP2-100-S CertiFiber Pro Optical Loss Test Set. Get Free Shipping when you buy now from GlobalTestSupply .



Fluke Networks CFP2-100-Q CertiFiber Pro Optical Loss

Fluke Networks CFP2-100-Q CertiFiber Pro Optical Loss Test Set. Get Free Shipping when you buy now from ITM .

ONT-600 CFP2 Transport Test Module

The CFP2 Phy/Data Single Port Module offers the complete in-depth test capabilities needed for physical layer R& D applications, including dynamic skew insertion, jitter injection, advanced error



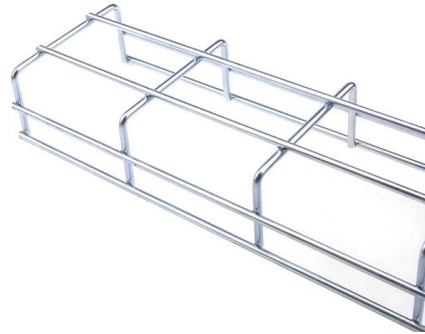
High Performance 100/40G CFP Compliance Host

It provides an economical way to exercise CFP2-DCO ports during R& D validation, production testing, and field testing.



Design Guidelines for 100 Gbps

The common electrical interface CEI-28G-VSR implementation architecture (IA) for short reach channels is intended for next generation 100 Gbps chip - to - optical module applications. CFP2 is a pluggable



Coherent pluggable test module (400G CFP2-DCO, 400GE QSFP-DD)

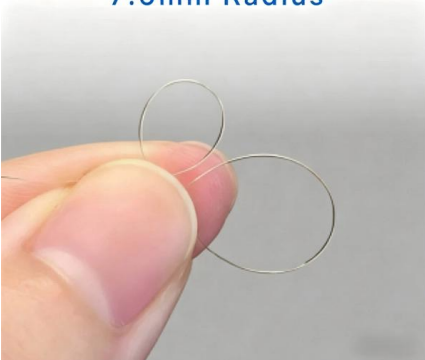
The industry's first fully integrated test product for pluggable digital coherent module development, validation and integration of 400G CFP2-DCO and 400GE QSFP-DD transponders, including 400ZR,

Datasheet: CertiFiber® Pro Optical Loss Test Set

The CertiFiber Pro Optical Loss Test Set (OLTS) helps cabling professionals accomplish more than ever. It's all about accurate, error-free certification, making jobs easier to manage and certifying fiber



7.5mm Radius



MPM-400DCO_PR

Based on an advanced programmable native PAM4 FPGA design, the MPM-400DCO test module is a complete test solution for R& D, SVT, benchmarking, and production verification of pluggable Digital



VeEX® Announces New 400G Digital Coherent CFP2 and QSFP-DD Test

Fremont, Calif., March 8, 2022 - VeEX Inc. a global leader in innovative test and measurement solutions for next-generation networks, announced today the MPM-400DCO(TM), a 400G Digital Coherent CFP2



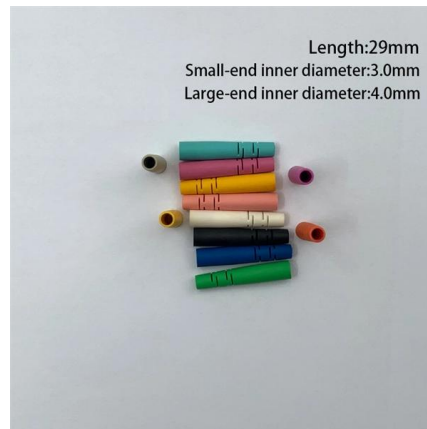
Hydrogen Sensor Test Report

This test was used to determine the accuracy and precision of the sensors. Hydrogen concentrations were increased and decreased in a stair step pattern to determine the sensor outputs at various



Template for 501 Report

This report covers the electrical, mechanical and environmental performance of the TE Connectivity CFP2 and CFP4 Receptacle. Testing was performed at the Harrisburg Electrical Components Test



Pluggable Optics for Coherent Systems: The CFP2-ACO Interface

The CFP2-ACO IA delivers a high-performance analog interface to pluggable optics. This interface allows the separation of high-power and large DSP components from the optical components.





100G CFP CFP2 CFP4 CXP Transceiver Modules Data Sheet , FS

Product overview The FS® 100GBASE Quad Small Form-Factor Pluggable (CFP/CFP2/CFP4/CXP) portfolio offers customers a wide variety of high-density and low-power 100



Contact Us

For datasheets, pricing, or custom high-speed optical interconnect solutions, please visit:
<https://syropy.com.pl>