

How to properly lay large cables in cable trays





How to properly lay large cables in cable trays



A Guide to Installing and Supporting Electrical Cable Trays

A professional guide to installing electrical cable tray systems per NEC Article 392. Covers support, securing cables, and fill calculations.

FactSheet

Cable trays feature flexibility unmatched by conduit, as cables are easier to mark, remove and find in cable trays. Cable trays are available in a number of different configurations, including ladder,



Master Cable Tray Installation: A Professional Step-by

Learn how to install cable trays for large-scale projects with our professional, step-by-step guide covering industry standards, safety protocols,



Cable Tray Systems: Requirements and Best Practices

This article explains the main requirements and good practices for cable tray systems, including tray types, materials, loading, supports, bonding, cable selection, and installation details.



10 Common Mistakes in Ladder Cable Tray Installation

Lay cables evenly, maintaining adequate spacing to ensure proper ventilation and reduce EMI risks. Utilize dividers for organizing cables when needed. 7. Lack of



Tie Down Practices for Multiconductor Cables in Cable Trays , Cable

Item #1- Conditions Requiring Cable Tie Down:
The reasons for tying down cables are to keep them in the cable trays, to maintain the proper spacing between cables, or to confine the cables to specific



How To Install Cables On a Tray

In this video i am going to show you how to install cables on a tray properly. i see many electricians lay cables on a wrong way. cables must lay side by side with a little bit space between (as



Cable Tray Installation

Whether you're building a commercial setup or upgrading an industrial plant, proper cable tray installation ensures neat wiring, safe access, and easy maintenance. But before you lay the first tray

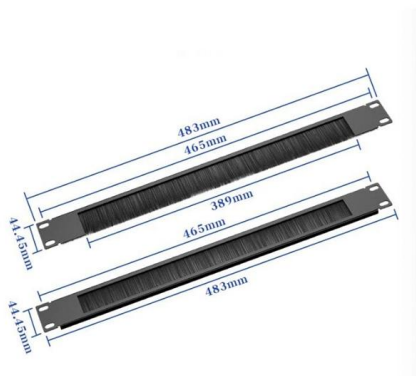


How to Avoid Damaging Cables During Cable Tray

Learn expert tips on how to avoid damaging cables during cable tray installation. Our guide covers planning, installation, and maintenance for cable

Cable routing , Tips for proper cabling , Simply explained

Cable trays are perforated or unperforated metal or plastic channels that are often used for laying and protecting cables. The channels are installed along walls or



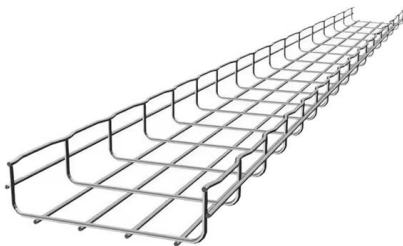
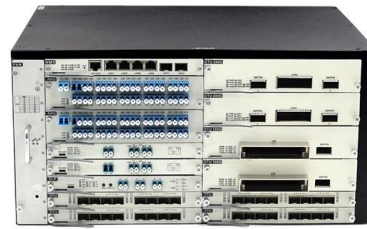
Best Practices for Installing Cables in Trays

Learn the best practices for installing cables in trays. This guide covers essential steps, technical requirements, and key details for efficient cable



A Guide to Installing and Supporting Electrical Cable Trays

This guide covers the critical steps, from selecting the right electrical cable tray and performing accurate cable fill calculations to managing a safe cable pull through



Cable Tray Technical Guide A practical guide to product selection and

SOLID-BOTTOM CABLE TRAY Providing additional cable protection, solid-bottom cable tray is sometimes preferred to support and protect numerous small instrumentation and control cables.

Best Practice Guide to Cable Ladder and Cable Tray Systems

This guide covers cable ladder systems, cable tray systems, channel support systems and associated supports intended for the support and accommodation of cables and possibly other electrical



How to Manage Cables in Cable Trays: Principles and Methods

Learn how to manage cables in cable trays effectively with our comprehensive guide for cable classification, protection, and installation to ensure electrical system safety and efficiency.



Cable Tray Technical Guide A practical guide to product selection and

In designing supports for a cable tray system, consideration should be given to the loads associated with future cable additions and any additional loading that may be applied to the cable tray system (e.g.,



Installation Of Cable In Cable Trays: NEC, Safety

Cable tray layout must take into consideration the design limits of the cable. To minimize damage and verify integrity after installation, follow the practices

Precautions for Cable Tray Installation

Cable Tray Installation Guide The correct installation of cable trays is crucial for establishing a reliable and efficient cable system. It ensures that cables are



Mastering Cable Tray Installation , Step-by-Step Guide for a Seamless

Mastering cable tray installation is crucial for creating a safe, organised, and efficient cable management system. By following this step-by-step guide, you can ensure a seamless setup that



Cable Tray Installation and Cable Handling Method

Cables must be installed in the designated cable trays as specified in the contract drawings. Install cables neatly and professionally, adhering to the provided



Best Practices for Cable Laying by EVIO

Cables should also be dressed and aligned properly to ensure a neat and orderly arrangement that simplifies management and maintenance. Securing

Cable Tray Systems: Requirements and Best Practices

Cable tray systems offer a flexible and efficient solution for supporting large numbers of cables in modern electrical installations. When correctly designed and installed, they improve cable



Contact Us

For datasheets, pricing, or custom high-speed optical interconnect solutions, please visit:
<https://syropy.com.pl>