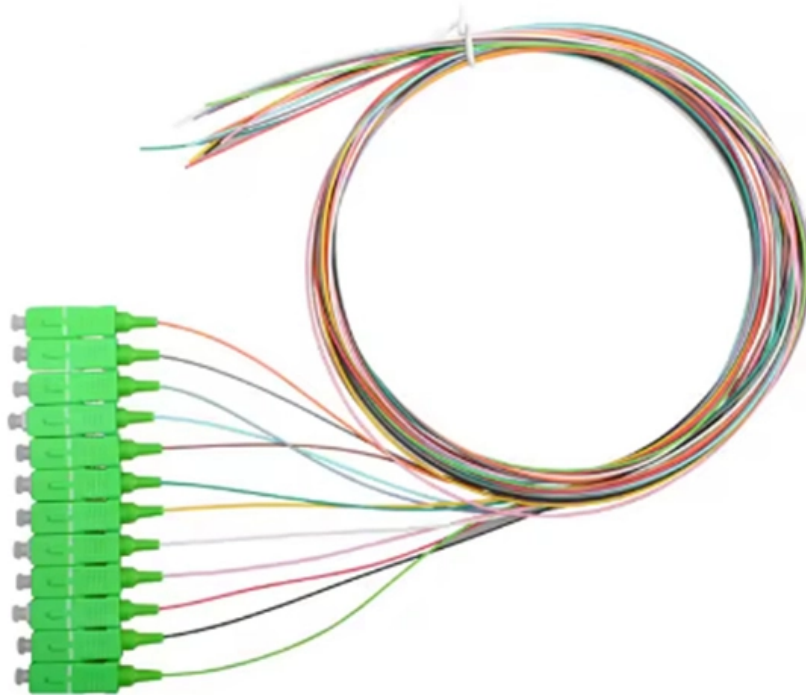


Huawei s standard optical module price





Huawei s standard optical module price



Huawei SFP-25G-LR 25G LR SFP Optical Module , FiberMall

The 25G SFP28 LR transceivers are designed for 24.33Gbps and 25.78Gbps data rates over SMF and support up to 10km link length. They are compliant with IEEE802.3ba, SFF- 8402, and SFF-8432.

Original SFP Huawei GPON-OLT-CLASS-C+/C

We provide original new Huawei Routers,Switches,Firewalls,Wireless APs & controllers,OLTs,GPON modems,optical transceivers.Our company have more



Huawei OPTICAL MODULE Price

The Best Huawei Products Price List Checking Tool ICT-Router, Switch, Optical Transmission & Access Network

10 Gbit/s SFP+ Optical Module

HUAWEI AntiDDoS8000 V500R005 Hardware Description 10 Gbit/s SFP+ Optical Module You can use different levels of 10 Gbit/s SFP+ optical modules only with 10 GE interfaces.



Buy Huawei PON Optical Module Best Price

Inquire Huawei original PON Optical Module Price, Wholesale Huawei PON Optical Module with best discount



Huawei Optical Modules and Cables

Buy Genuine Huawei Optical Modules and Cables from GenuineModules with best price and fast worldwide shipping.



10 Gbit/s SFP+ Optical Modules

10 Gbit/s SFP+ optical modules apply to 10 GE optical ports. The wavelength can be 850 nm, 1310 nm, or 1550 nm, and the transmission distance ranges from 0.5 km (0.31 mi) to 80 km (49.71 mi).





Huawei SFP-25G-SR Module SFP-25G-SR price and

Huawei SFP-25G-SR Module adopts hot-swappable SFP28 package, working wavelength is 850nm, it is a full-duplex transceiver module. Its maximum speed is

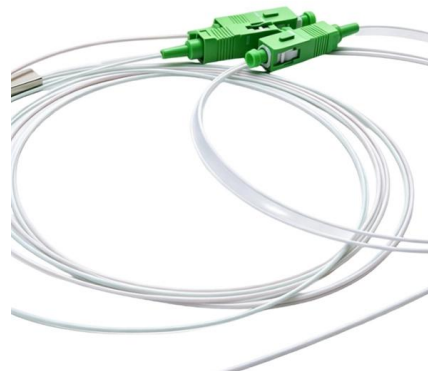


HUAWEI SFP+ 850nm 120m 6.1440G MM optical module

HUAWEI SFP+ 850nm 120m 6.1440G MM SFP is a small form-factor pluggable module and eSFP is an enhanced small form-factor pluggable module. There is no difference between their major functions

SFP-10G-LR, Huawei SFP+ Optical Transceiver, 10G,

Huawei SFP-10G-LR 10G SFP+ 1310nm 10km single-mode LC module for enterprise and carrier networks. Check real-time Huawei 10G SFP module price online.



Original SFP Huawei GPON-OLT-CLASS-C+/C

High quality Original SFP Huawei GPON-OLT-CLASS-C+/C++ Optical Module from China, China's leading product market Huawei Optical Transceiver product, with



Huawei Technical Support

This document provides technical details about 1Gbps eSFP Optical Modules, including specifications and support information.



Huawei OPTICAL TRANSCEIVER SINGLE-MODE MODULE Price

The Best Huawei Products Price List Checking Tool ICT-Router, Switch, Optical Transmission & Access Network

Huawei Optical Modules and Cables

Buy Genuine Huawei Optical Modules and Cables from GenuineModules with best price and fast worldwide shipping.



Optical Modules for Huawei S Series Switches

Compared with other optical modules, 10GBASE-LRM optical modules have lower cost, lower power, smaller size and provide universal multimode ports. The maximum transmission distance of a





What Is an Optical Module and Its FAQs (V200)

What Is an Optical Module and Its FAQs (V200) Describes what an optical module is and FAQs, including the fundamentals, appearance and structure, key performance counters, common types,



Huawei SFP-25G-LR Module SFP-25G-LR price and

Huawei SFP-25G-LR Module is 25GBase-SR Optical Transceiver-SFP28-25G Multi-mode (850nm,0.1km,LC) Huawei SFP-25G-LR Module Product Overview Huawei



Huawei Optical Module Common Models

Optical modules are important devices in fiber optic communication systems. Huawei Optical Module is manufactured by Huawei Technologies Co. and originated in Shenzhen.



Optical Modules in General-Purpose Computing Scenarios

Huawei offers a comprehensive portfolio of pluggable StarryLink optical modules for data center networks, with various models providing flexible plug-and-play solutions tailored to diverse interface





1.25 Gbit/s SFP/eSFP Optical Module

You can use different levels of 1.25 Gbit/s SFP/eSFP optical modules with GE interfaces and 10 GE interfaces. The wavelength of common 1.25 Gbit/s SFP/eSFP optical modules can be 850

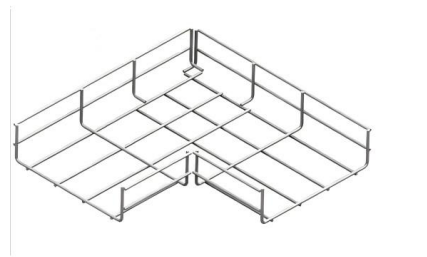


Huawei Optical Module Common Models

Optical modules are important devices in fiber optic communication systems. Huawei Optical Module is manufactured by Huawei Technologies Co. and originated in Shenzhen. Huawei Technologies Co.,

The Ultimate Guide to SFP Modules (2026): Types,

Confused by SFP vs SFP+? Read the definitive 2026 guide on SFP modules. We explain Single Mode vs Multimode, DDM diagnostics, and how to choose the right



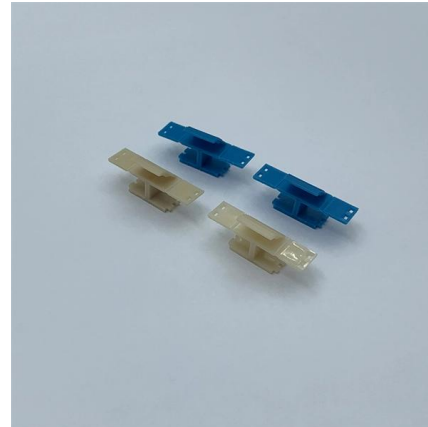
Huawei Gpon-Olt-Class C+ SFP Module C+ Optical

20KM SFP Optical Transceiver Description 20KM SFP Optical Transceiver series single-mode transceivers is SFP+ module for bi-directional serial optical data



Huawei 100G OPTICAL SFP MODULE Price

Huawei 100G OPTICAL SFP MODULE price from Huawei price list 2022, Huawei router price, Huawei switch price

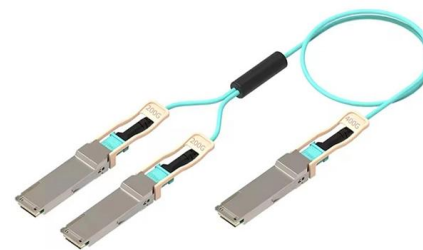


10GE SFP+ Optical Modules

OMXD30000 OSX010000 OSX040N01
OSXD22N00 SFP-10G-BXD1 SFP-10G-BXU1
SFP-10G-ER-1310 SFP-10G-ER-SM1270-BIDI
SFP-10G-ER-SM1330-BIDI SFP-10G-LR-I SFP-10G-
USR SFP-10G

Huawei SFP-GE-LX-SM1310 1GE 1310nm 10km SFP

Huawei SFP-GE-LX-SM1310 1GE 1310nm 10km single-mode SFP module for Huawei switches and routers. Check real-time price, stock and lead time. Global



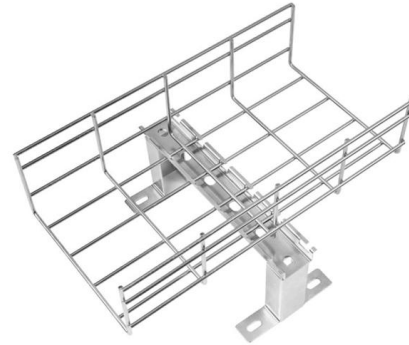
Optical Transceiver Modules, HUAWEI Cisco SFP SFP+ QSFP Module Price

Optical transceivers for every network Industry standards-compliant designs from 1G to 400G speeds Optical Transceiver Modules

Huawei FE Optical Modules



Huawei SFP-FE-SX-MM1310 Optical Transceiver,
SFP, 100M/155M, Multi-mode Module (1310nm,
2km, LC) 02315233



Huawei OEGD01N01 1000BASE-T RJ45 SFP Optical

For further information about the Huawei OEGD01N01 and its pricing, please contact us via Live Chat or at . Check Huawei OEGD01N01 price and

Contact Us

For datasheets, pricing, or custom high-speed optical interconnect solutions, please visit:
<https://syropy.com.pl>