

# **Installation of electrical distribution box for gas block installation**





## Installation of electrical distribution box for gas block installation

---



### How to Install a Cable Distribution Box Safely and

In modern electrical systems, cable distribution boxes (also known as electrical distribution boxes or distribution boxes) play a crucial role as the key

### Key Points Of Installation And Collocation Of Distribution Box In

If they are combined in the same distribution box, power and lighting lines should be set separately. 7. The wire inlets and outlets in the distribution box and switch box shall be set at the lower bottom of



### How to Install a Distribution Box--A Comprehensive

Before starting the installation, finding a proper place for putting the distribution box is crucial, because it largely decides the safety and convenience



### Meter Box Builder Installation Requirements

Stacked or clustered meter boxes cannot be used without the approval of the Enbridge Gas Distribution Engineering department. These installations are considered non-standard and will



### **The Complete Guide to Distribution Box: Installation, Types & More**

Blog The Complete Guide to Distribution Box: Installation, Types & More By Admin Aug 2, 2025 No Comments # distribution box Introduction Electrical systems power our homes, offices, and

### **A Step-by-Step Guide to Wiring an Electrical Panel Box**

In the world of electrical installations, an electrical panel box is a crucial component that helps distribute electricity safely throughout a building. A wiring diagram is a



### **Terminal block production and installation tutorial: from beginner to**

Terminal block production and installation tutorial: from beginner to proficient Publish Time: 07/17 2025 Author: Site Editor Visit: 1388 Terminal blocks are the core components of electrical connections,



## How to determine the size, installation method and

When the switches are arranged in two rows, the wiring of the switches should be considered. Of course, there is no final conclusion on the size of the electric box.

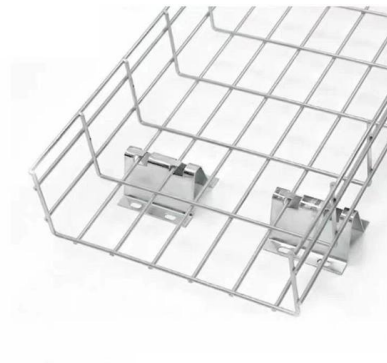


## How to install a gas block on AR-15?

Table of Contents How to Install a Gas Block on an AR-15: A Comprehensive Guide Installing a gas block on an AR-15 is a critical step in building or modifying your rifle, ensuring proper

## The installation requirements for the distribution box

Introduction Understanding The Components of A Distribution Box Selecting The Right Distribution Box Site Preparation and Location Requirements Electrical Connections and Wiring Compliance with Standards and Regulations Conclusion Proper installation of a distribution box isn't just a technical requirement. It's a vital step in ensuring the safety and efficiency of your entire electrical system. Following best practices reduces the risk of electrical fires, power outages, and other hazards, protecting your property and keeping everyone safe. If you're looking for a reliable, See more on eabel Published: Feb 7, 2025 zeroinstrument



## How to Wire an Explosion-Proof Distribution Box and

Explosion-proof electrical equipment, such as explosion-proof distribution boxes, is specifically designed for hazardous environments where



flammable gases,



### Small distribution box installation steps

The steps to install a small distribution box include selecting a suitable location, installing the base, placing the distribution box, connecting the

### Electrical Distribution Board Installation (DB Box /

Distribution Board DB Box Repair Electrician Singapore HDB - Yishun Choose Daylight Electrician Singapore Daylight Electrician Singapore is



### Step-by-Step Guide to Install MCB Distribution Box

Learn how to safely install an MCB distribution box with this comprehensive guide. Step-by-step instructions to ensure correct installation.



### How To Installation Distribution Box: Efficient Guide

How To Installation Distribution Box: Efficient Guide Electricity is key to our modern comforts in Singapore. Yet, we often overlook the safety it brings. The distribution box is a silent protector in your



### General Specification for the Installation of Gas Distribution Services

5.43 A Hold Point Inspection shall be completed and documented for any new gas distribution service installation (including partial service replacements, customer pipe installations, and GD-3 service



### Gas Delivery Systems

Valve Manifold Box Valve Manifold Boxes (VMB) are designed to safely split a single Hazardous or Non-Hazardous gas supply into multiple use points. This concept increases efficiency in the manufacturing



### 314.28 (E) (1) Power Distribution Blocks. Installation.

Whether in a wireway or any other box, power distribution blocks installed on the line side of the service equipment shall be listed and marked "suitable for use on the line side of service equipment" or

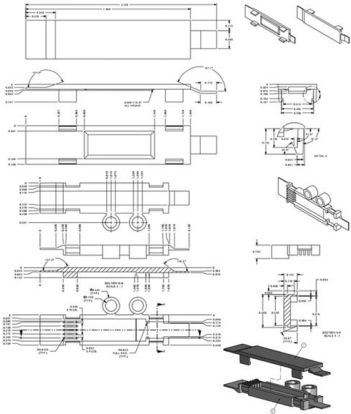






## Electrical Box Installation Method Statement

This method statement describes the procedure for installing electrical boxes on block and concrete walls inside a building. It outlines the necessary resources,



## Meter Box Builder Installation Guidelines

If Enbridge Gas Distribution has installed the gas service prior to the builder installing the supply line piping, the builder is responsible for bringing the supply line into the meter box and the tie-in of the

## Requirements And Specifications For Installation Of

In flammable and explosive environments, explosion-proof distribution boxes should be selected and explosion-proof treatment should be carried out.



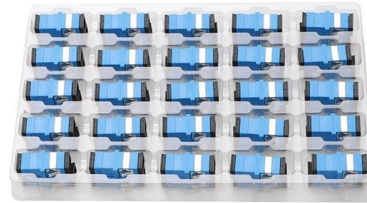
## GTC Technical Guidelines

The Developer is responsible for ensuring that all groundworkers installing gas service pipe and ducting are shown and fully understand the GTC Gas Service Installation Video.



## Distribution Box Installation: Advanced Techniques

This video breaks down the process step-by-step, ensuring viewers can confidently complete this essential electrical project.



### Requirements And Specifications For Installation Of

The installation requirements and specifications of Distribution box involve many aspects, including site selection, fixing method, wiring specifications

## Contact Us

---

For datasheets, pricing, or custom high-speed optical interconnect solutions, please visit:  
<https://syropy.com.pl>