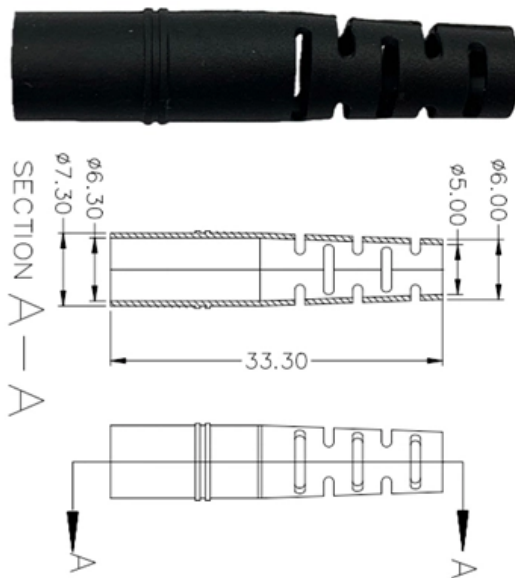


# LC4128 Visp Interface Pin Diagram





## LC4128 Visp Interface Pin Diagram

---



### Smart Card (SIM Card) interface pinout signals

Pinout of Smart Card (Sim Card) interface and layout of 6 pin Simcard special connector and 8 pin SMARTCARD special connectorA smart

### LC4128-75T128-101 ispMACH 4000V/B/C/Z Family from Lattice

Buy LC4128-75T128-101 Lattice Semiconductor, Get familiar with the LC4128-75T128-101 ispMACH 4000V/B/C/Z Family at VEKEMO FPGA, Get insight of stocks, pricing, related description, and



### LC4128V-2 of Lattice ispMACH 4000V/B/C/Z Family

Q: Where can I purchase Lattice LC4128 Development Boards, Evaluation Boards, or ispMACH 4000V/B/C/Z Starter Kit? also provide technical information? FPGAkey does not provide



### LC4128V-75T128I Datasheet (PDF)

Description: 3.3V/2.5V/1.8V In-System Programmable SuperFAST High Density PLDs.  
Manufacturer: Lattice Semiconductor.



### LC4128V-5T144I

It supports 3.3V (4000V), 2.5V (4000B) and 1.8V (4000C/Z) supply voltages and 3.3V, 2.5V and 1.8V interface voltages. Additionally, inputs can be safely driven up to 5.5V when an I/O bank is

### LC4128ZE-7MN144C of Lattice ispMACH 4000V/B/C/Z Family

Q: Where can I purchase Lattice LC4128 Development Boards, Evaluation Boards, or ispMACH 4000V/B/C/Z Starter Kit? also provide technical information? FPGAkey does not provide



SC connector  X 12

### LC4128B-27T128C-5I of Lattice ispMACH 4000V/B/C/Z Family

Q: Where can I purchase Lattice LC4128 Development Boards, Evaluation Boards, or ispMACH 4000V/B/C/Z Starter Kit? also provide technical information? FPGAkey does not provide



## LC4128 Lattice Semiconductor Corporation , Embedded

LC4128 Lattice Semiconductor Corporation  
Embedded parts available at DigiKey.



### Lattice LC4128V (ispMACH 4000)

Designed by Deksor, computerguy096 and Zago.  
(c) 2019-2026 All wrongs reversed.



### LC4128-75T128-101 of Lattice ispMACH 4000V/B/C/Z Family

The LC4128-75T128-101 of ispMACH 4000 family has enhanced system integration capabilities. It supports 3.3V (4000V), 2.5V (4000B) and 1.8V (4000C/Z) supply voltages and 3.3V, 2.5V and 1.8V



### LPC2148 Microcontroller Pinout Diagram, Pin

Pin Configuration of LPC2148 Microcontroller, features of ARM7 microcontroller with step by step explanation of pinout diagram





### LC4128 datasheet

It supports 2.5V (4000B) and 1.8V (4000C/Z) supply voltages and 3.3V, 2.5V and 1.8V interface voltages. Additionally, inputs can be safely driven to 5.5V when an I/O bank is configured for 3.3V

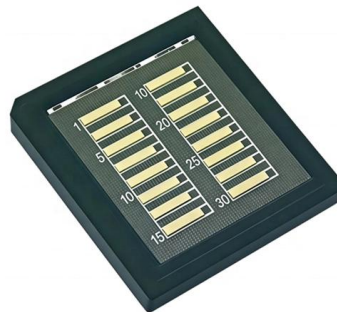


**Analog , Embedded processing , Semiconductor company , TI**

Analog , Embedded processing , Semiconductor company , TI

### ESP32 Pinout Diagram , ESP32-CAM

ESP32 Pinout Diagram , ESP32-CAM November 10, 2025 Reference Updated: October 20, 2025  
The ESP32-CAM is a compact yet powerful



### Experimentierplatine LC4128

Wenn Sie Peripherie an die Buchsenleisten oder Wannenstecker anschließen, die ihre Spannungsversorgung 5V von der LC4128-Platine erhalten soll, müssen Sie ein Steckernetzteil an



## Lattice Socket Adapter Compatibility Guide

This document provides a listing of socket adapters made by Lattice Semiconductor that support various Lattice programmable devices. It includes tables that indicate



## LC4128V Datasheet PDF -

Outputs support the standards compatible with the power supply provided to the bank. Support for a variety of standards helps designers implement designs in mixed voltage environments. In addition,

## An Illustrated Guide to the Pin Diagram of an LCD Display

The LCD display provides a visual interface for the user to interact with the microcontroller, displaying information such as text, numbers, and symbols.



## LC4128V Datasheet PDF Download

Electronic Components and Semiconductors search and free download site. Transistors, MosFET, IGBT, Triac, SCR, Diode, Integrated circuits. MFG CO.



## Contact Us

---

For datasheets, pricing, or custom high-speed optical interconnect solutions, please visit:

<https://syropy.com.pl>