

Libyan PoE Switch OSFP





Libyan PoE Switch OSFP

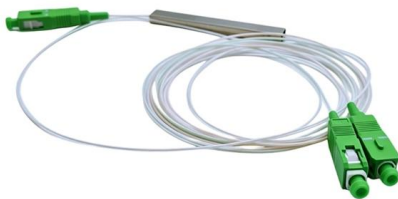


Wistron 32x 800GbE OSFP And 64x 400GbE Optical

Home Wistron 800GbE and 2.5GbE PoE Switches at OCP Summit 2023 Wistron 32x 800GbE OSFP And 64x 400GbE Optical SN Switch Broadcom Tomahawk 5 At

OSFP Connectors 2025: Design, QSFP-DD

OSFP Connectors Explained: Design, Signal Integrity, Thermal Management, and QSFP-DD Comparison By Network Switches Sep 24 0 comments



PoE Brochure

Our comprehensive portfolio of midspans, switches and PoE accessories facilitate quick and seamless installation while addressing the unique requirements of all indoor, outdoor and industrial applications.

Network Switch 12Port Industrial Gigabit Ethernet with 8 Port POE 4

About this item PORT: 8 POE 10/100/1000Mbps network ports with POE AT 30W, 4 SFP1000M fiber ports (WITHOUT SFPS and POWER ADAPTER). POE STANDARD: The 8 port POE switch supports POE (15.4W) and POE+ (30W).



1/2 (V+), 3/6 (V-) is the default, and 4/5 (V+), 7/8 (V-) is optional wire connection.



OSFP Connector System

OSFP connectors are slightly larger than QSFP-DD connectors but offer increased thermal performance and signal integrity at high data rates. The OSFP system



PoE Switch

ORing offers a comprehensive portfolio of rugged industrial Ethernet switches, from cost-effective unmanaged and PoE models to advanced Layer 2/3 managed switches enabling precise control.

REINFORCED VIRGIN PVC TRUNKING
Superior Crush Resistance

	37.6MPA Tensile Strength		2856MPA Elastic Modulus
	9.8KJ/M² Impact Strength		1.54G/CM Density

OSFP Connector Guide: 400G and 800G Modules,

OSFP offers better cooling than QSFP-DD due to its slightly larger footprint. Both support 36 ports per 1RU, but OSFP handles higher power without



OSFP , High Speed Interconnects , Amphenol

Amphenol OSFP interconnect system has 60 contacts per port, with a 0.6mm contact pitch and 8 high speed channels. The OSFP footprint is optimized

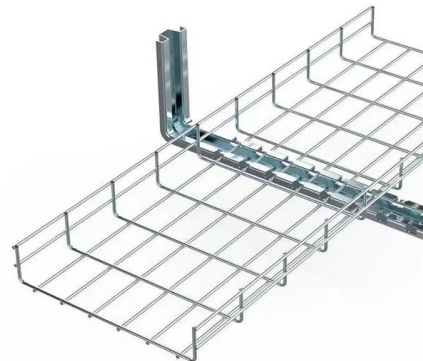


6-Port Hardened Industrial Gigabit PoE+ DIN-Rail Fiber Network Switch

DIN-RAIL & WALL MOUNT: This 6-port Gigabit PoE+ industrial switch comes with an integrated DIN-rail mount . REDUNDANT POWER: The industrial network switch has dual redundant power inputs with overload current protection (power supply sold separately)

Libya PoE Switches Market (2025-2031) , Trends, Outlook & Forecast

Our analysts track relevant industries related to the Libya PoE Switches Market, allowing our clients with actionable intelligence and reliable forecasts tailored to emerging regional needs.



2.5G Switches for SMBs and Campus

Looking for Campus 2.5 Gb switches for Wi-Fi 6, cybercafes, or multi-rate networks? QSFPTek offers PoE++ and flexible 2.5G switches, allowing you to upgrade based on existing Cat5e wiring.





Understanding Ports of Gigabit PoE Switch

Understanding Ports of Gigabit PoE Switch Since the introduce of Power over Ethernet (PoE) technology, PoE LAN switch has become popular



Networking, ICT and Telecommunication Distributor , Scoop

Hier sollte eine Beschreibung angezeigt werden, diese Seite lässt dies jedoch nicht zu.

OSFP-SR8-800G Connectivity Guide , FS

FS OSFP-SR8-800G is designed to maximize the performance of HPC networks, requiring high-bandwidth, low-latency, highly reliable connections between InfiniBand or Ethernet elements.



Welcome to OSFPmsa

A: No, due to mechanical and electrical differences, OSFP modules are not compatible with OSFP-XD ports, and vice-versa. Mechanical keying features on



???? POE ????? 8 ????? ???? Libya , Ubuy

Shop for 4 Port SFP POE Switch Gigabit Ethernet Smart Switch on Ubuy Libya. Built-in, 41001000mbps POE port. Unmanaged plug and play network switch with IEEE802.3AFAT standard for fast and



Cisco OSFP 800G Transceiver Modules Data Sheet

The Cisco ® OSFP 800G transceiver modules provide 800 Gigabit Ethernet (GE), 2x 400GE, 4x 200GE, and 8x 100GE connectivity options,



YuanLey 8 Port Gigabit PoE Switch MA MNFY SYN Uplink Libya , Ubuy

??? YuanLey 8 Port Gigabit PoE Switch ?????
?????? ?? ?????? ?????? PoE ??? ??????? IP ?????
???? Wi-Fi. ?? 8 ?????? PoE ? 2 ??? Gigabit ??????
???????? ? ????? ??? ??????? ??????? ??? ??????
?????.



An introduction to SFP ports on a Gigabit switch

An introduction to SFP ports on a Gigabit switch
SFP ports enable Gigabit switches to connect to a variety of fiber and Ethernet cables and extend switching functionality throughout the



DLink DGS-F1100-10PS-E PoE Switch: 8



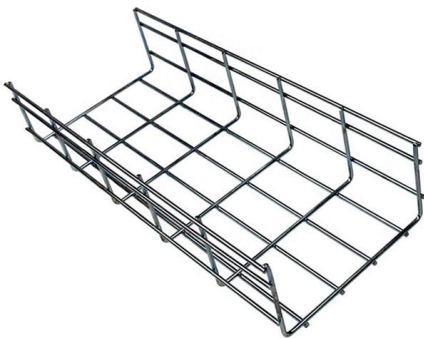
Ports, High

The DLink DGS-F1100-10PS-E PoE Switch Kenya offers 8x Gigabit PoE ports and 2x SFP uplinks, delivering 20Gbps switching, 96W PoE power, and smart Layer 2



24-Port GbE PoE+ Switch w/ 2 SFP Ports 561891

Unmanaged PoE Switch with 26 ports - 24 RJ45 and Two SFP, High-Power PoE+ The Intellinet Network Solutions 24-Port Gigabit Ethernet PoE+ Switch with 2



Industrial 8-Port Gigabit+2*SFP Unmanaged Switch (12

UTP7208GE-POE, full gigabit one-key ring industrial unmanaged switch (DC 12-48V), provides 8*10/100/1000Base-T Ethernet PoE port and 2*1000Base-X SFP



TE Connectivity

Hier sollte eine Beschreibung angezeigt werden, diese Seite lässt dies jedoch nicht zu.



OSFP Connectors & Cable Assemblies

OSFP products offer high port density and can fit up to 36 ports of an 8-lane interface in a 1RU switch form factor, aligning with current and next-generation silicon



Dahuasecurity

Hier sollte eine Beschreibung angezeigt werden, diese Seite lässt dies jedoch nicht zu.

Manageable L3 Switch 48 Gigabit PoE ports and 4

The S3352G-PB has 48 Gigabit Ethernet PoE ports and 4 SFP+ 10 Gbps ports and is a high-performance Layer 3 access switch for corporate networks.



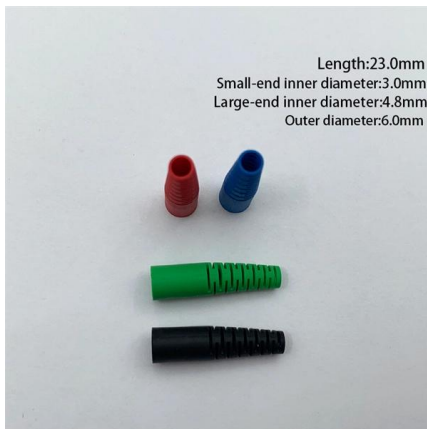
What Is an OSFP Module?

Supporting speeds up to 400G--or even 800G in some cases--it's a hot-swappable gem that plugs right into switches or routers. Whether you're



48 Ports Layer 3 managed POE switch with 4 Ports

The PS54804TFM series represents a robust collection of Layer 3 managed PoE switches featuring 48 Gigabit LAN ports alongside 4 10GbE uplink SFP+ optical



LINOVISION 8 Ports Full Gigabit PoE Switch, 4 BT 90W

Buy LINOVISION 8 Ports Full Gigabit PoE Switch, 4 BT 90W Ports, 4 30W Ports, 2 GE and 1 Gigabit SFP Uplink, IEEE 802.3 af/at/bt, Total Power Budget 120W,

MikroTik · Switches

MikroTik makes networking hardware and software, which is used in nearly all countries of the world. Our mission is to make existing Internet technologies



Contact Us

For datasheets, pricing, or custom high-speed optical interconnect solutions, please visit:
<https://syropy.com.pl>