

Luxembourg ODM Special Optical Cable Single Mode



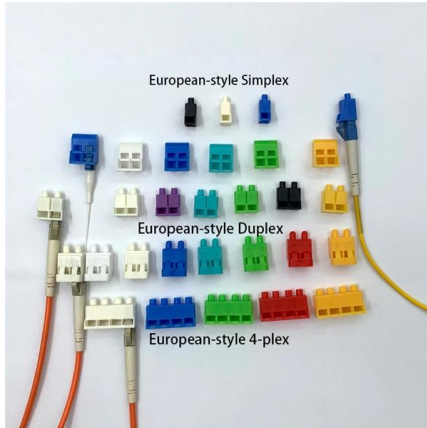


Overview

This is due to the fiber having such a small cross section that only the first mode is transported.



Luxembourg ODM Special Optical Cable Single Mode



FIBER OPTIC PATCH CORD SIMPLEX SINGLE MODE

KEY FEATURES Single Mode OS2 G652D or G657A or G657B Simplex Configurations 100% Inspection for optical properties and fiber end face finish

Fibre Optic Cable

View Eland Cables' range of singlemode and multimode fibre optic cables - loose tube and tight buffered. Technical support, fast quote, international logistics and



Fiber Optic Cable Types Explained

OS1 single mode fiber optic cables are made with a single mode fiber core, which means that they have a very small core diameter of 9 microns. This allows the

Single-Mode Optical Fiber (SMF)

Draka Single-Mode Fiber (SMF) provides optimum performance in both the 1310 nm and 1550 nm wavelength operation ranges (including the 1565 - 1625 nm L-band), with a low dispersion in the



Understanding Single Mode Optical Fiber Cable: Expert

Unlike its counterpart, multimode optical fiber cable, single mode fiber has a smaller core diameter, which enables faster transmission speeds and a



Optical Fiber Single-Mode Fiber G652.D (008)

"Leviton is dedicated to designing, developing and manufacturing sustainable high performance structured cabling and specialty cabling solutions." The information contained in this document is



Single-Mode Fiber (SMF) vs Multimode Fiber (MMF):

For example, Plastic Optical Fiber (POF) comprises a plastic core, which offers an increased bend radius for compact installations. However, POF is



Fiber Optic Cable Types: Single Mode vs. Multi-Mode

The primary distinction between single mode and multi-mode fiber optic cable is the fiber core diameter, wavelength & light source, bandwidth, color



ITU-T Rec. G.652 (11/2009) Characteristics of a single-mode optical

Characteristics of a single-mode optical fibre and cable Summary Recommendation ITU-T G.652 describes the geometrical, mechanical and transmission attributes of a single-mode optical fibre and

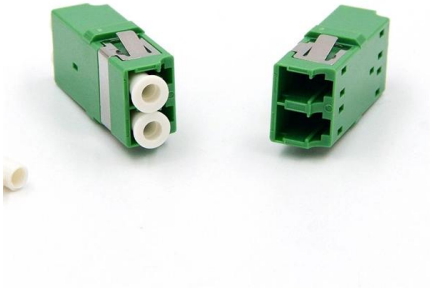
Understanding Single Mode Fiber Optic Cable: A

Explore our comprehensive guide on single mode fiber optic cable, including insights on duplex fiber patch cables for efficient data transport over



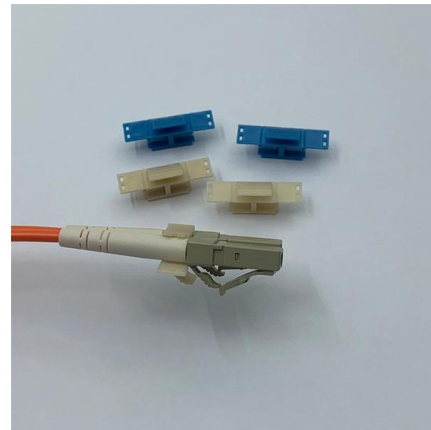
What is Single-mode Fiber Optic and Types?

Fiber optic technology has revolutionized the way we transmit data, providing high-speed and high-capacity communications that are critical in



Fiber Optic Cable Types - Multimode and Single Mode

Single Mode fibers are identified by the designation OS or Optical Single-mode Fiber. Single Mode cable has a much smaller core (8-9um) than multimode cable and uses a single path (mode) to carry the light.



Single Mode Fiber: Types and Applications

Single mode fiber (SMF) is a type of fiber optic cable that only allows one light mode to transmit at a time. Generally, single mode cable has a narrow



Single-mode OS1/OS2 Duplex Zipcord Fiber Optical

Single-mode OS1/OS2 Duplex Zipcord Fiber Optical Cable Designed for long-distance and high-bandwidth applications. Uses a small core (8-10µm) to allow





Single Mode Fiber Optic Cable Manufacturers

Proterial Cable America; high quality manufacturer of single mode fiber optic cable - providing cabling solutions for efficient, long-distance data transmission.



Understanding Single Mode Fiber: 2024 Updated Guide

Single mode fiber represents the pinnacle of optical fiber technology, offering unparalleled capabilities in high-speed data transmission over vast



Single-mode optical fiber

Overview [Characteristics](#) [History](#) [Connectors](#) [Fiber optic switches](#) [Quadruply clad fiber](#) [External links](#)

Unlike multi-mode optical fiber, single-mode fiber does not exhibit modal dispersion. This is due to the fiber having such a small cross section that only the first mode is transported. Single-mode fibers are therefore better at retaining the fidelity of each light pulse over longer distances than multi-mode fibers. For these reasons, single-mode fibers can have a higher bandwidth than multi-mode fibers. Equipment for single-mod

Fiber Optic Cable Types: Single-Mode, Multimode, and

Discover fiber optic cable types, including single-mode (OS1, OS2) and multimode (OM1, OM2, OM3, OM4, OM5), indoor/outdoor variants, and how



Fiber Optic Cables

We offer specialized fiber optic cable assemblies in single mode or multimode and simplex or duplex optical cables featuring ST, SC, FC, LC, MTRJ, and MU-style fiber connectors.

Single Mode Fiber Optic Cables ,

Find premium single mode fiber optic cables for high-speed data transmission. 20 years of expertise and worldwide delivery.



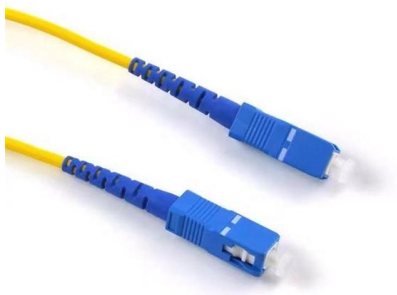
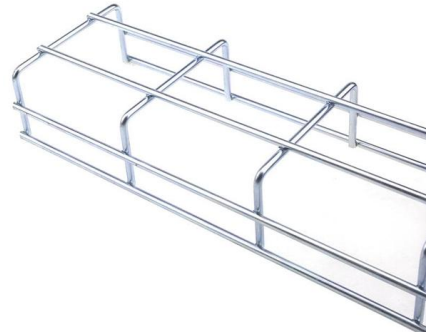
Single-Mode Fiber Cable Guide: Types, Specs & Selection

This comprehensive guide explores Single-Mode Fiber Optic Cable, covering technical specifications, deployment scenarios, and best practices to help you optimize your fiber infrastructure



OS2 Single Mode Fibre Optic Patch Leads, SMF Duplex Cables

FS offers single mode duplex fibre patch leads & cables for 1G/10G/40G/100G/400G Ethernet fibre connections that can transport data up to 10km at 1310nm and 40km at 1550nm.



Single Mode Fiber: Technological Innovations and

Explore the development trends of single-mode fiber and its promising future. Gain insights into the advancements shaping OS2 optical fiber technology,

Understand Single Mode Fiber Types And Application

In particular, single mode fiber has attracted much attention due to its unique characteristics and wide range of application scenarios.



OS1 vs. OS2, OM3 vs. OM4 vs. OM5

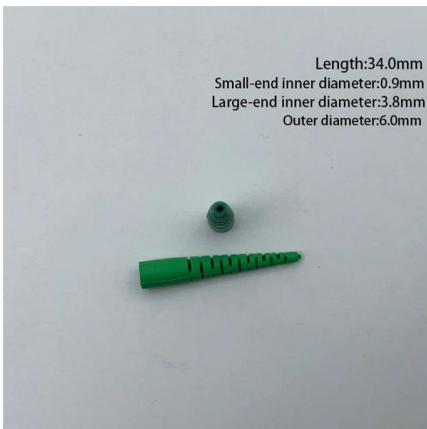
In diesem Artikel werden die wichtigsten Unterschiede zwischen OS1- und OS2-Singlemode-Glasfasern sowie OM3-, OM4- und OM5-Multimode



Singlemode special optical fibers , WEINERT Industries AG

Frequently Asked Questions about Singlemode special optical fibers 1. What are Singlemode special optical fibers offered by WEINERT? WEINERT provides a

Product Catalog



Single-Mode Fiber-Optic Cabling:

Explore the high-speed world of single-mode fiber-optic cabling, where data travels on beams of light, offering unparalleled efficiency.

Single Mode Fiber Cables, Single-mode Duplex Cables,

Singlemode Duplex Cables , OS2 Fiber Patch Cables - Singlemode OFNR Riser rated, Indoor/Outdoor, Plenum OFNP , 9/125 LC/SC/ST fiber optic patch cables.



Luxembourg: Singlemode Optical Fibre Cables Market Report

This report presents a comprehensive overview of the Luxembourgish singlemode optical fibre cables market, the effect of recent high-impact world events on it, and a forecast for the market development



Contact Us

For datasheets, pricing, or custom high-speed optical interconnect solutions, please visit:

<https://syropy.com.pl>