

Madagascar FTTH cold splice price





Madagascar FTTH cold splice price



Optical Fiber Mechanical Splice for Sale, FTTH

The manufacturing cost of the device is lower, so the price is lower; and the installation is very simple, almost no special construction tools are needed to

Amazon : KELUSHI 10pcs Fiber Optic Mechanical

Buy KELUSHI 10pcs Fiber Optic Mechanical Splice FTTH Fast Connector Adapter for FTTH Fiber Cold Connection: Optical - Amazon FREE DELIVERY



Fiber Optic Splicing Cost Per Splice (2025 Guide)

Dome closures for buried applications, wall-mount enclosures for buildings, and aerial splice cases all have different price points. Confirm whether your quote includes materials or is labor only.

Amazon : Fiber Optic Splice Kit

Amazon : fiber optic splice kit FTTH optical fiber tool kit with 36000 cutter FC-6S and optical fiber drop cable optical fiber stripper CFS-3 stainless steel Adjustable openin three-port hole optical fiber



CAT 7 FTP JACK



Optical Fiber Cold Splicing and Fusion Splicing

Optical fiber quick connectors and optical fiber cold splices will play an irreplaceable role in FTTH access. The field termination technology of optical fiber quick connectors just solves this

Fiber Optic Fusion Splicer Buyer's Guide: Key Factors and Cost Drivers

This guide breaks down the key cost-influencing factors across five dimensions--splicer types, technology, performance, accessories, and after-sales support--to help users align their



The difference between optical fiber cold splicing and

Optical fiber quick connectors and optical fiber cold splices will play an irreplaceable role in FTTH access. The field termination technology of optical fiber





Fiber Optic Splice Boxes

Find reliable splice boxes for fiber optic networks. Durable, waterproof, and available in various sizes. Perfect for FTTH and other optical communications.



TELECOMMUNICATIONS

Antananarivo, 20 Janvier, 7h00 - Ils sont désormais trois opérateurs à pouvoir déployer la fibre optique à Madagascar. Tahina Razafindramalo, ministre du

3M Cold Shrink Splices: Splices to Fit All Electrical Cable Systems

Splices to Fit All Electrical Cable Systems Author: Bill Taylor, Retired 3M Product Development Engineer Contact Person: Selvakumar, 3M Application Engineering Manager



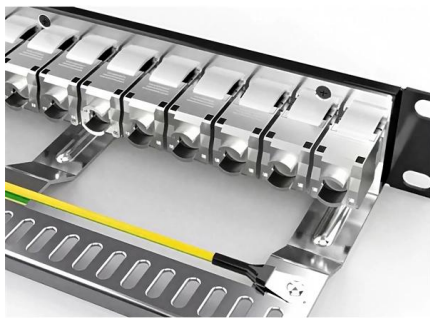
Best TV & Internet Providers in Madagascar , Compare Plans & Prices

Compare Best Internet providers in Madagascar. View bundle prices, download speeds to find your ideal home internet and TV package.



Amazon : Fiber Optic Termination Tool Kit

FTTH Fiber Optic Cold Connection Assembly Termination Tools Kit Bag with Cable Tester Stripper Tool Visual Fault Locator FC-6S Fiber Cleaver SC FC Connector Optical Power Meter FinderDust Free



In Stock Mechanical Splice Quick Splice & FTTH Applications

Buy wholesale mechanical splice for L925b optic fiber cables, SC connector closures, and fast connectors at low prices starting from \$2.42. Ideal for distributors.

fiber optic cold splicer

From a wide range of quality brands to affordable picks, these reviews will help you find the best fiber optic cold splicer, no matter what your budget is.

SUPPORTS

DIN RAIL INSTALLATION



FTTH L925BP Fiber Optic Mechanical Splicer Quick

FTTH L925BP Fiber Optic Mechanical Splicer Quick Cold Splice Connector for SC Adaptor Drop Cable Used and Reliable



Buy Signal fire Optical Fiber Fusion Splicer, SM& MM Automatic

We can deliver the Signal fire Optical Fiber Fusion Splicer, SM& MM Automatic Intelligent FTTH Fiber Optical Welding Splicing Machine w/5 Inch Digital LCD Screen, Optical Fiber Cleaver Kit, Ai-8C



5 Pcs/Lot FTTH Drop Cable Splice L925BP Fiber Optic

Find what you love with better prices on AliExpress by using an image search

How much does it cost to splice fiber?

The cost of splicing fiber optic cables can vary significantly based on several factors, including the type of splice, the equipment used, the location of the job, and the



FTTH Tools Kit

Find high-quality cold splice fiber tools for reliable FTTH connections. Precision cutting, quick connectors, and durable accessories for efficient fiber work.



FTTH Cold Splicing Kit

Complete FTTH Solution: This FTTH Cold Splicing Kit Fiber Optic Tool Set is designed to provide a comprehensive solution for users who require fast and efficient fiber optic termination, ideal for John,

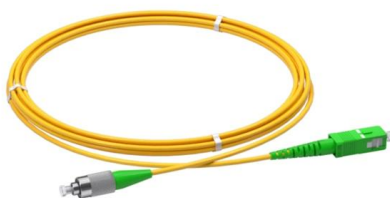


What is Fiber Cold Splice?

What is Fiber Cold Splice? The fiber quick splicing connector is also called field assembly connector, means only use simple splicing tools not fusion splicer to realize drop cable terminated.

A Look at Splicing Methods , CommScope

A Look at Splicing Methods: Types, Advantages and Disadvantages The FTTH industry has grown exponentially in recent years, leading to changes in the ways that networks are being



The Difference Between Optical Fiber Cold Splicing and

However, fiber cold splicing also has the following disadvantages: A higher loss will reduce signal quality; Connection quality is affected by the environment; Time is



Drop Cable Mechanical Splice Connector FTTH Fiber

Drop Cable Mechanical Splice Connector FTTH Fiber Optic Cold Connection 12 Dislike 0



Madagascar FTTH Equipment Market (2025-2031) , Trends, Outlook

6Wresearch actively monitors the Madagascar FTTH Equipment Market and publishes its comprehensive annual report, highlighting emerging trends, growth drivers, revenue analysis, and

Amazon : Fiber Termination Kit

Find professional-grade fiber optic termination kits equipped with visual fault locators, strippers, and precision tools for network setup.



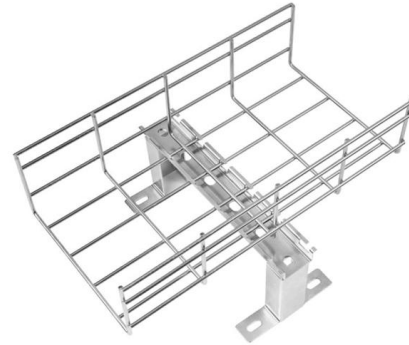
Amazon : Fiber Optic Splice Kit

Fusion Splicer AI-6A Fiber Optical Fusion Splicer with 8S Splicing & 18S Heating, Core Alignment Fiber Splicer with 5200mAh Large Battery Capacity, Automatic FTTH Precision



The advantages and disadvantages of fiber -fiber cold

Optical fiber quick connectors and optical fiber cold splices will play an irreplaceable role in FTTH access. The field termination technology of optical fiber



Contact Us

For datasheets, pricing, or custom high-speed optical interconnect solutions, please visit:
<https://syropy.com.pl>