

Methods for Dismantling Communication Towers





Methods for Dismantling Communication Towers



Tower Decommissioning and Satellite Adoption: A Guide by Rountree

With years of experience in the industry, we have honed our techniques to dismantle towers safely and systematically, minimizing disruption to the surrounding environment and community.

Removal

Deep South Communications has experience with all types and sizes of tower dismantling and demolition from guyed towers, self support towers, offshore oil rig



Dismantling a Tower

Tower is dismantled using hoist and gin pole.

Tower Erection and Dismantling Procedure

The document outlines procedures for erecting and dismantling towers, including checking foundation settings, sorting materials, ground



Dismantling a Tower

Steel towers can be taken down when they are no longer needed and then be erected again at a new location. As the first step in dismantling a tower, remove



Decommissioning

At ABC Tower Services, we specialize in the safe and efficient removal of outdated telecom infrastructure. Our experienced team handles all aspects of decommissioning, including:



Safe Dismantling of High-Rise Mobile Towers

Discover the cutting-edge technique revolutionizing the dismantling of high-rise mobile towers with unparalleled safety and efficiency. This advanced method



Challenges and Solutions in Tower Site



Decommissioning: What

Stakeholder communication (TowerCo, landlords, vendors) Site audit and inventory Disconnect power and network Physical dismantling Handover or site restoration Documentation and

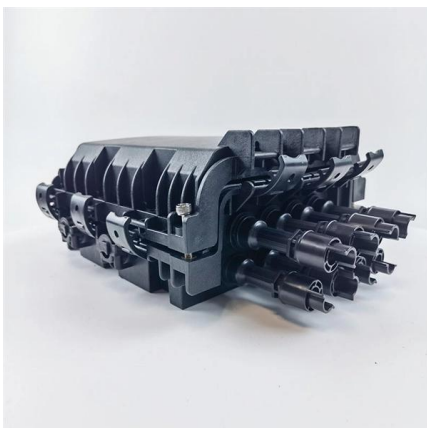


Steel Transmission Tower Dismantling: (Dead Work) , PDF

The document outlines procedures for dismantling steel transmission towers including considerations before work, working at height on the towers, rescue

Decommissioning of telecoms sites

The Telecoms industry is fast-paced, and the growth of new communication technologies means that some sites have become outdated and are no longer



Demolition method for steel guyed tower

A method of dismantling a branch line type steel tower, wherein the branch line is drawn in by a branch line drawing device, and the above-mentioned operation of reassembling the holding metal fittings is



Cell Phone Tower Dismantling & Demolition

Ensure safe and efficient cell tower removal with expert demolition services. Our team handles dismantling, recycling, and metal management with precision.



Recommended Best Practices for Communication Tower Design,

Co-locate communications equipment on existing communication towers or other structures (e.g., billboard, water and transmission tower, distribution pole, or building mounts).



Decommissioning Done Right: A Guide for Telecom

At TDA Telecoms, we've seen how strategic decommissioning can free up space, improve efficiency, and reduce long-term costs. Here's our expert



Mesh door/glass door optional



Sp-601 glass door



Sp-602 mesh door

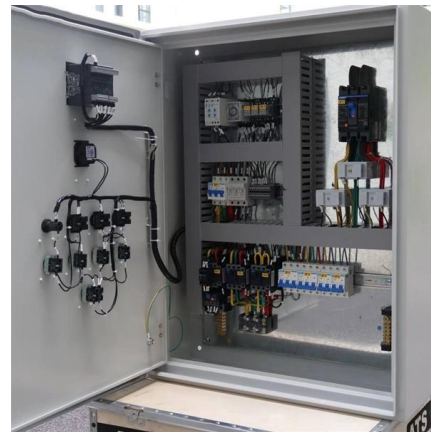
Tank and Tower Dismantling & Disassembly , PTTG

We provide accurate and safe dismantles for guyed, self-supporting and monopole structures, smoke stacks and ground and elevated tanks. Our crews can also remove and dispose even the largest



The Process of Telecom Tower Dismantling Services in

The telecommunications landscape in the Philippines is rapidly evolving, and with it comes the need for upgrading and dismantling existing infrastructure. Telecom



Tower Removal and Decommissioning

When it comes to tower removal and decommissioning your shelter, RPK3 offers you the easiest solution in the industry. Our experienced team makes it easy.

Tower Dismantle and removal

We provide accurate and safe dismantles for guyed, self-supporting and monopole structures, smoke stacks and ground and elevated tanks. Our crews can also remove and dispose even the largest



Removal

We have experienced hoist operators, riggers and gin poles for towers that are safe to climb. We also have the ability to remove unsafe towers by using cranes or



Method Statement for Dismantling Lines , PDF

The document provides a method of statement for dismantling works on a transmission line project. It outlines the following key steps: 1) Preparation works

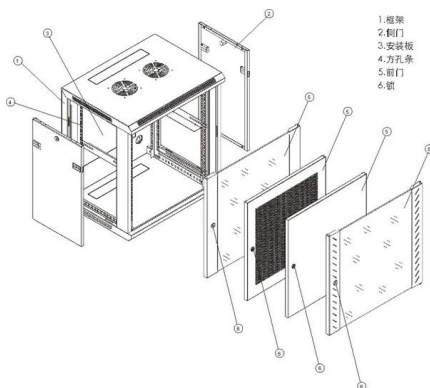


Telecom Tower Removal: Demolishing Concrete & Iron Structure

In this video we show you how to dismantle a concrete telecommunications tower with a crane truck. Every health and safety measures at work were strictly comp

Tower Crane Dismantling Safety Procedure

Introduction Dismantling a tower crane is a complex process that requires meticulous planning and strict adherence to safety guidelines. Ensuring



Essential Safety Protocols for Tower Dismantling: A Comprehensive

Discover essential safety protocols for tower dismantling to ensure legal compliance, worker protection, and efficient operations in telecommunications tower safety.

Decommissioning Done Right: A Guide for Telecom



Every successful project begins with a clear strategy. This means identifying all assets slated for decommissioning, understanding their impact on

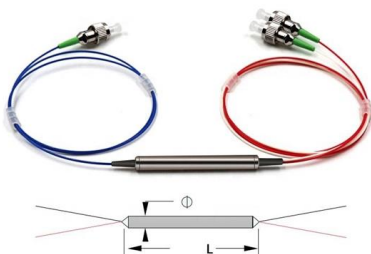


Tower Installation and Dismantling Guide , PDF , Safety

This document establishes guidelines for the safe assembly and disassembly of communications towers. Describes the resources, personal protective equipment,

How to drop a 200' radio tower? : r/AskEngineers

Interesting project here. Looking at clever ways to demo a 200' tall radio tower aside from bringing in a taller crane and dismantling. Typically one might use a



Challenges and Solutions in Tower Site Decommissioning: What

As networks modernize, and 5G and fiber take center stage, some old towers have to go. But without proper planning, decommissioning can become a nightmare -- financially, technically,



Tower Demo & Site Removal -- Kilowatt Inc.

Inevitably, all communication towers reach the end of their useful life cycle for various reasons. Kilowatt offers multiple methods of tower removal depending on situational restrictions ranging from the



How to Remove a Retired Cell Phone Tower From Your

Whether you've purchased land with an existing tower or your lease with a telecommunications company has ended, removing these structures requires

Contact Us

For datasheets, pricing, or custom high-speed optical interconnect solutions, please visit:
<https://syropy.com.pl>