

Offshore Price Optical Router 1 6T



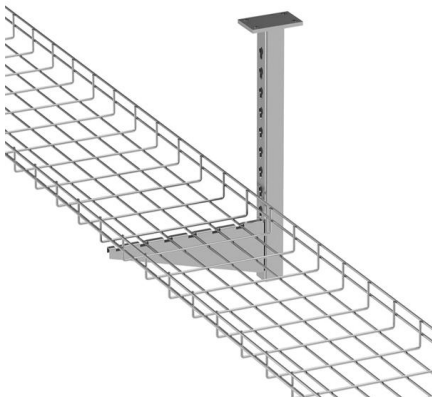


Offshore Price Optical Router 1 6T



1.6T Transceivers Explained: Advantages, Types & FS

This article explains how this new 1.6T rate emerged, what the technical principles and key features of 1.6T optical modules are, the major

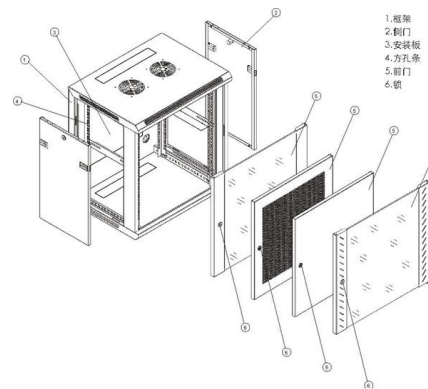


1.6T Optical Module Market Competitive Landscape Report 2035

The 1.6T Optical Module Market CAGR (growth rate) is expected to be around 9.6% during the forecast period (2026 - 2035). The Global 1.6T Optical Module Market is currently witnessing significant

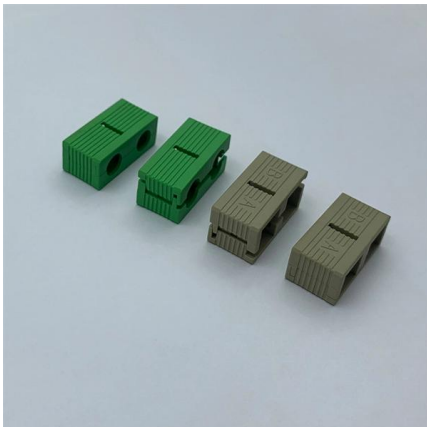
Global 1.6T Optical Transceiver Supply, Demand and Key Producers,

Global 1.6T Optical Transceiver Supply, Demand and Key Producers, 2024-2030 Page: 114
Published Date: 12 Aug 2024 Category: Electronics & Semiconductor Single User License USD4480.00



Global 1.6T Optical Transceiver Market Research Report 2025(Status

The market for 1.6T transceivers is driven by hyperscale data center expansion, the proliferation of bandwidth-intensive services, and the need for scalable, cost-effective solutions to reduce



1.6T OSFP-XD 2FR4 Transceiver

1.6T OSFP-XD 2*FR4 is designed to transmit and receive serial optical data links up to 212.5 Gb/s data rate (per channel) by PAM4 modulation format over single

1.6T Optical Transceiver Modules , AscentOptics

1.6T transceiver is High-speed, advanced module for rapid data transfer in data centers, telecom networks, and modern applications - AscentOptics.



Global 1.6T Optical Transceiver Market Outlook, In-Depth Analysis

Report Includes: This definitive report equips CEOs, marketing directors, and investors with a 360° view of the global 1.6T Optical Transceiver market, seamlessly integrating production





The Evolution of 400G, 800G, and 1.6T Optical Modules

With the rapid advancement of AI, HPC, and cloud computing, the demand for high-speed optical modules such as 400G, 800G, and even 1.6T is growing



1.6T OSFP 2xDR4/DR8, 1310nm, 500m, DDM, CDR,

The MJ-OSFP1.6TB-DR8 is a cost-effective, high-performance OSFP module tailored for AI datacenter applications, delivering an aggregate throughput of 1.6



1.6T OSFP-XD DR8 MPO-16 Optical Transceiver

FiberMall OSFP-XD-1.6T DR8 transceiver is a high-performance optical module with a maximum transmission distance of 2 km, suitable for high-bandwidth



1.6T OSFP DR8 Optical Transceiver for AI and 1.6T Ethernet

Optech is proud to launch the 1.6T OSFP DR8 Optical Transceiver, a future-ready solution tailored for 1.6T Ethernet and advanced AI infrastructure.





1.6T OSFP Transceivers , Optical Transceivers , Amphenol

Description HIGH-SPEED OSFP TRANSCEIVER FOR 800G/1.6T WITH 200G PER LANE Amphenol's 200G/lane optical modules support DR4,



Charting the Path Toward 1.6T and 3.2T Optical Module

Figure 9 depicts the implementation of a 1.6T optical module in an OSFP platform using Intel's PICs and integrated electronic circuits. Intel's 1.6T optical module

1.6Tb/s Twin-port XDR OSFP 2xDR4 1310nm 500m Optical Transceiver

OSFP-1.6T-2xDR4 is a cost-effective module with high performance, which is optimized for AI Datacenter, supporting data-rate of 8x212Gb/s PAM4 Optical interface and 8x212Gb/s PAM4



1.6T Transceiver Market Insights:Future of AI and HPC

This article analyzes the market share and future trends of 1.6T modules from major manufacturers, including their development drivers and technical solutions, and



Global 1.6T Optical Transceiver Supply, Demand and Key Producers,

Structuring project proposal with scope, timeline, and costs. Determination of key drivers, restraints, challenge, and opportunity. Identifies market needs and trends. Estimation of historical data based



BRKOPT-2699

High-Speed Interconnects: Backend network requires high speed 100G/200G or 800G optics to connect servers and network switches. These high bandwidth connections are essential for handling the data



JT-1600G-OSFP-LC-2FR4

JTOPTICS 1.6T OSFP-XD 2FR4 Transceiver is engineered to transmit and receive serial optical data links at rates up to 212.5 Gb/s per channel using PAM4



1.6T OSFP Transceivers

1.6T OSFP Transceivers HIGH-SPEED OSFP TRANSCEIVER FOR 800G/1.6T WITH 200G PER LANE Amphenol's 200G/lane optical modules support DR4, FR4, 2xDR4, 2xFR4, AOC, and breakout AOC





1.6T Optical Transceiver Market Research Report 2033

The 1.6T optical transceivers are designed to address these needs by enabling ultra-high bandwidth, low latency, and reliable data transfer within and between data centers, telecommunications networks,

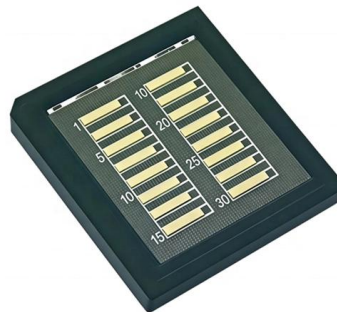


1.6T Optical Module Market Competitive Landscape Report 2035

The Global 1.6T Optical Module Market, classified by type, showcases significant growth potential across its sub-segments, including Transceiver Modules, Active Optical Cables, and Passive Optical

1.6T Optical Transceiver 2025-2033 Market Analysis: Trends,

The size of the 1.6T Optical Transceiver market was valued at USD XXX million in 2023 and is projected to reach USD XXX million by 2032, with an expected CAGR of XX% during the



800G/1.6T Optical Transceiver and Co-Package Module

800G and 1.6T Optics In the 21st century, information technology has developed greatly, and the Internet, big data, and artificial intelligence have



1.6T Optical Module Market Research Report 2023

According to our latest research, the global 1.6T optical module market size reached USD 1.14 billion in 2024, driven by the surging demand for high-speed data transmission across data centers and



InnoLight Demonstrates Pluggable 1.6T OSFP-XD DR8+ and Low

Our 1.6T optics enables 51.2T switch throughput capacity in a 1U rack configuration. It leverages the proven 100G serdes ecosystem with InnoLight's advanced 200G optical platform to

FiberMall's 1.6T Optical Module Roadmap

For 102.T switching capacity, 1.6T optical modules are required, and the optical port needs to reach 200G per wavelength rate, which is expected to



1600G OSFP1600 2xDR4 500M 1.6T Optical Transceiver

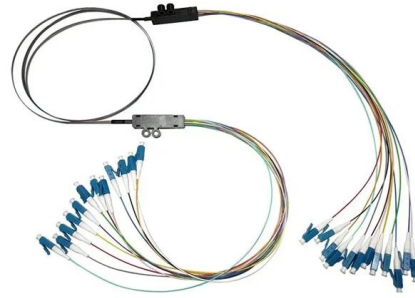
1.6T Optical Transceiver factory, fiber optic products manufacturers, Offer 1600G OSFP1600 2xDR4 500M 1.6T Optical Transceiver for many years. Factory





Global 1.6T Optical Transceiver Market Industry Best Practices 2026

With detailed analyses, actionable insights, and strategic recommendations, this report equips stakeholders with the knowledge they need to make informed decisions and capitalize on the



Global 1.6T Optical Transceiver Market 2024 by Manufacturers,

Home > Report Categories > Electronics & Semiconductor > Global 1.6T Optical Transceiver Market 2024 by Manufacturers, Regions, Type and Application, Forecast to 2030

1.6T Optical Transceiver Strategic Market Opportunities:

The 1.6T optical transceiver market is experiencing significant growth, driven by the exploding demand for high-bandwidth data transmission in cloud



Contact Us

For datasheets, pricing, or custom high-speed optical interconnect solutions, please visit:
<https://syropy.com.pl>