

Position of the twelve cores of the optical cable





Position of the twelve cores of the optical cable



Fiber Optic Cable Core: Understanding Its Types and Uses

In today's world, fiber optic cables are commonly used in almost every sector as they help transmit data quickly over great distances. However, if there

12 Core Optical Fibers Mastering Color Differentiation_NEWS_OPTICAL

The standard color coding scheme for 12 core optical fibers follows a pattern where each fiber has a unique combination of two colors - one primary and one secondary. The primary color represents



All You Need to Know About Fiber Optic Cable Core

Understand the structure, types, performance and maintenance of the fiber optic cable core -- from single/multi-mode to common faults and solutions.

Europe SFP Active Optical Cable Market, Global Outlook and

The Europe SFP Active Optical Cable Market, Global Outlook and Forecast 2022-2028 market can be categorized into various segments based on its type, application, and geographic region.



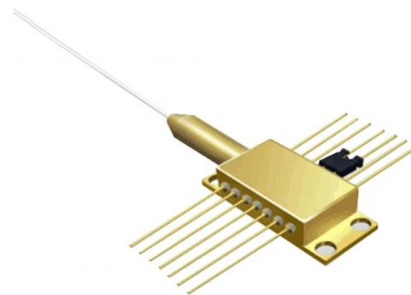
The FOA Reference For Fiber Optics

The core of step index multimode fiber is made completely of one type of optical material and the cladding is another type with different optical characteristics. It



GYTY53 12-Core Fiber Cable Specs , PDF , Optical

This document provides the product specification for a 12 core steel fiber optic cable. It describes the cable's components such as the single mode fiber type and



How to choose the number of fiber cores?

Common fiber cores include 1 core, 2 cores, 6 cores, 8 cores, etc., and there are many types. This article will focus on the number of fiber cores,



HFCL Signs 5-Year Optical Fiber Cable Deal Worth

HFCL Limited has entered into its largest contract ever, a five-year optical fiber cable supply agreement worth approximately USD 1.10 billion with a

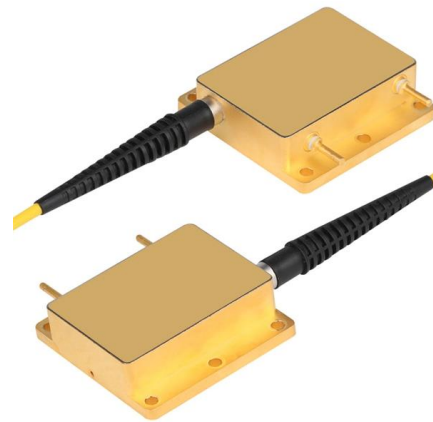


MTP/MPO Cable Selection Guide for Different Core

Choosing the right MTP/MPO cable ensures efficient and reliable data transmission in today's fast-paced digital world. With the increasing demand for

Fiber Optic Basics

Fiber Optic Basics Optical fibers are circular dielectric wave-guides that can transport optical energy and information. They have a central core surrounded by a



- IP65/IP55 OUTDOOR CABINET
- IP54/55
- OUTDOOR ENERGY STORAGE CABINET
- OUTDOOR MODULE CABINET

How Many Core In Fiber Optic Cable Do I Need

For example, if you have three optical fiber access switches, you need to have three cores. (actually use a four core optical cable) This is because apart



Understanding the 12 Strand Multimode Fiber Optic Cable: A

The 12 strand multimode fiber optic cable is a direct response to this need, allowing multiple data channels to be run concurrently. The multimode fiber industry is driven by the constant

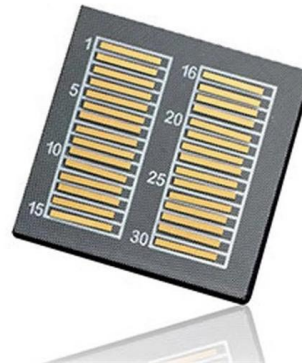


Core (optical fiber)

The limiting angle is called the acceptance angle, and the rays that are confined by the core/cladding boundary are called guided rays. The core is characterized by

An Overview Of Optical Fiber Cable Structure And Components

An optical fiber cable is a complex structure designed to protect fragile glass fibers that transmit digital data using light signals. This



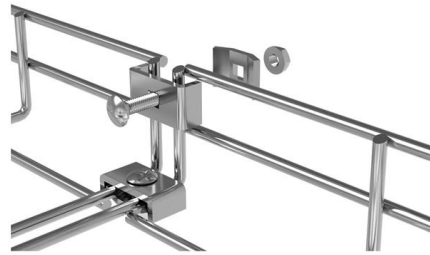
Optical fiber elements and optical cable

In an optical cable, the core and cladding are typically surrounded by other layers (such as a primary and secondary buffer), a strength member, and an outer jacket (Figure 1) that provide strength and



The Anatomy of a Fiber Optic Cable , ADD

Strengthening Fibers Every fiber optic cable is reinforced with strength-enhancing fibers, protecting the core from straining or being crushed during installation.



How to choose the right fiber cores

A fiber core is the central part of a fiber-optic cable, used to transmit light signals carrying data. It is typically made of high-quality glass or plastic, and its performance directly determines the

Comprehensive Guide to MPO-12 Fiber Optic Cable for

Discover our comprehensive guide to MPO-12 fiber optic cable, featuring premium connectors, high-speed connectivity, and options for



First-of-Its-Kind, Large-Capacity 12-Core Optical Fiber: Successful

Conventional optical fiber has a core that goes through the center for transmitting light. Multicore optical fiber, on the other



What is 12 core fiber optic cable?

A 12 core fiber optic cable consists of twelve individual optical fibers bundled together within a single cable sheath. Each fiber within the cable acts as an independent

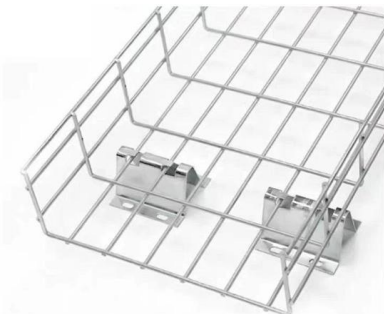


The Essential Guide to Fiber Optic Cable Core:

Discover the vital role of the fiber optic cable core in transmitting light signals. This essential guide covers functionality, types, and applications of

Understanding the 12 Strand Multimode Fiber Optic Cable: A

At its core, the cable houses 12 individual fibers, each capable of carrying a distinct data channel. These fibers are multimode type, meaning they allow multiple modes or light paths within



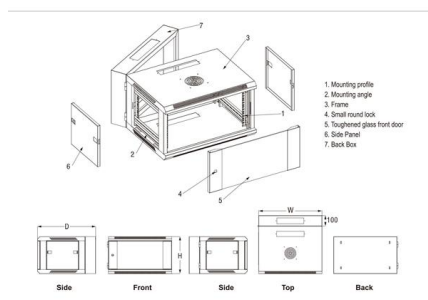
Fiber Optic Cable Core: Understanding Its Types and Uses

Don't worry, in this guide, we'll discuss in detail what the fiber optic core is and its role in data transmission. Moreover, we'll also explore the different



Optical Transceiver Manufacturer, 12 Core Vs 8 Core

This article focuses on the performance, advantages, disadvantages, and application scenarios of 12-core and 8-core MPO connections, helping you



Anatomy of a Cable - Optical Fiber

Here's a look at the anatomy of a fiber optic cable. Basic Construction of a Fiber Optic Cable A fiber optic cable consists of five main components: core, cladding, coating, strengthening

Contact Us

For datasheets, pricing, or custom high-speed optical interconnect solutions, please visit:
<https://syropy.com.pl>