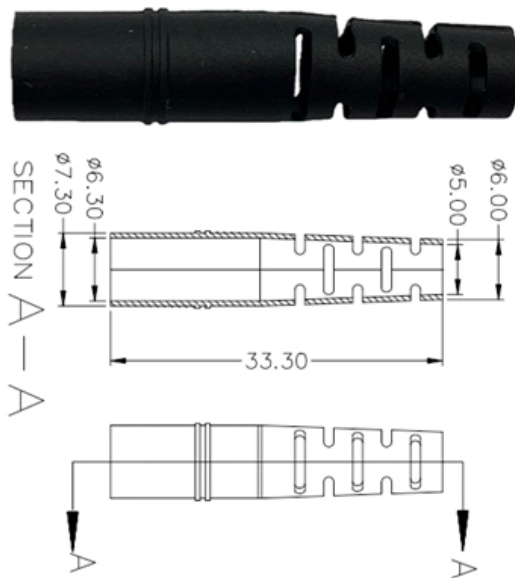


Qatar CIF Price AI Server QSFP-DD





Qatar CIF Price AI Server QSFP-DD



QSFP-DD , Arista Networks® , Transceivers

Quad small form pluggable double density (QSFP-DD) transceivers maximize port economy and density by utilizing multiple lanes of data. QSFP-DD fiber transceivers utilize eight lanes as opposed to the

QSFP-DD Optical Transceivers for High-Speed

Cisco offers a comprehensive portfolio of QSFP-DD modules across copper, multimode fiber, and single-mode fiber, optimized for a broad range of



Cisco

The Cisco 400GBASE Quad Small Form-Factor Pluggable Double Density (QSFP-DD) portfolio offers customers a wide variety of super high-density transceiver

Arista QDD-400G-FR4 Compatible 400GBASE-FR4 QSFP-DD

It is typically paired with a 400G QSFP-DD network card and connected to one of the ports of a dual-port 800 Gb/s 2x400G QSFP transceiver, making it ideal for AI Data Center (AIDC) and Data Center



QSFP-DD vs OSFP: What Are the Differences?

The width, length and thickness of QSFP-DD are 18.35mm, 89.4mm and 8.5mm, while those of OSFP are 22.58mm, 107.8mm and 13.0mm. It is obvious that the

How to Achieve Interconnection Between OSFP and QSFP-DD Ports?

This article outlines key OSFP and QSFP-DD differences and offers four practical interconnection solutions to support scalable 400G/800G data center networks.



QSFP-DD

Systems designed with QSFP-DD modules will be backwards compatible, allowing them to support existing QSFP-DD or QSFP modules and provide flexibility for



NADDOD 800G QSFP-DD Ethernet Transceiver Overview

This article introduces the NADDOD 800G QSFP-DD Ethernet transceiver, which, with its high port density, 800Gbps bandwidth and mature



IA-840F Agilex FPGA Card with QSFP-DD & MCIO

BittWare IA-840F PCIe Agilex(TM) FPGA Cards with QSFP-DD and MCIO are designed to deliver significant performance-per-watt improvements for

200G QSFP-DD/QSFP56 , FS Cables

FS 200G DAC/AOC cables are compliant with MSA and IEEE standards for guaranteed compatibility and optimal performance and suitable for servers,



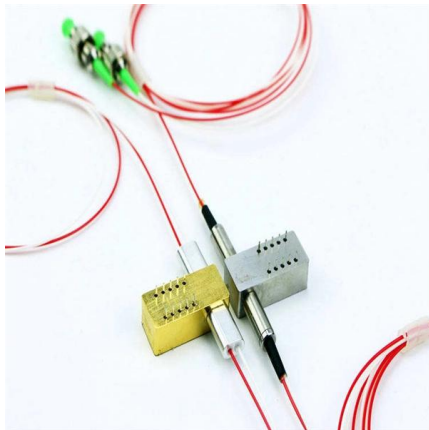
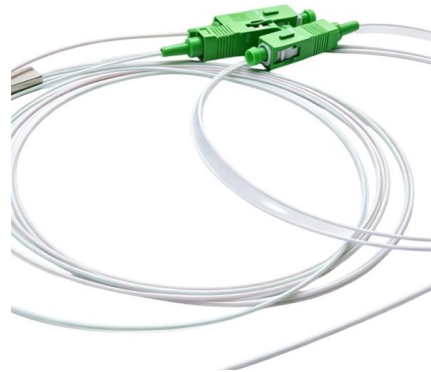
400G OSFP/QSFP-DD/QSFP112 Module Introduction and Selection

This article explores the technical characteristics, product lineup, and use cases of 400G OSFP/QSFP-DD/QSFP112 modules to choose the most suitable 400G solution for your data centers.



QSFP-DD Optical Transceivers for High-Speed Connections

Quad Small Form-Factor Pluggable Double-Density (QSFP-DD) offers twice as many high-speed electrical interfaces as QSFP28 while maintaining the same port density. When combined with higher



400G QSFP-DD Price

Maximize Budget, Ensure Timely Delivery. 400G QSFP-DD Transceiver, 400GBASE-DR4, MPO-12,500m parallel. 400G QSFP-DD Transceiver,400G-FR4,Duplex LC,2km Duplex SMF. 400G QSFP

QSFP-DD Price Guide 2026: 400G/800G Costs & TCO Analysis

This guide delivers clear, accurate pricing data. It breaks down the current costs for 400G and 800G modules, provides an objective comparison between OEM and third-party products, and



Data Center Interconnect Cost Analysis in the AI Era:

Explore data center interconnect cost models in the AI era. Learn how dark fiber and 100G/400G/800G QSFP modules optimize scalability, performance, and ROI.





QSFP DD Cable Assemblies , High Speed Input Output

QSFP DD Cable Assemblies Amphenol's QSFP DD (Double Density) copper cable assemblies double the number of channels from 4 to 8 lanes when



What is 400G QSFP-DD: Features and Benefits Explained

Learn about 400G QSFP-DD transceivers, specs, benefits, and compatibility in networking and data centers.

400G QSFP-DD Cable and Transceiver Modules Data Sheet , FS

Product overview The FS® 400GBASE Quad Small Form-Factor Pluggable Double Density (QSFP-DD) portfolio offers customers a wide variety of super high-density transceiver modules and the flexibility



Cisco QSFP-DD 400Gbps 500m Transceiver

Find many great new & used options and get the best deals for Cisco QSFP-DD 400Gbps 500m Transceiver - QDD-400G-DR4-S at the best online prices at eBay! Free shipping for many products!



QSFP Cables Explained 2025: Types, DAC vs AOC,

Learn about QSFP cables: QSFP+, QSFP28, QSFP56, QSFP-DD. Compare DAC vs AOC, speeds, lengths, and use cases in data centers. Includes

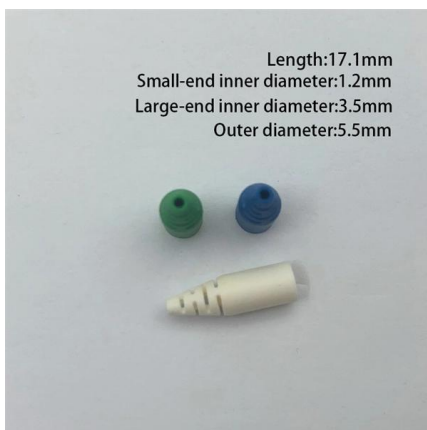


The Ultimate Guide to QSFP Cables

What is a QSFP Cable? QSFP cables are high-speed transceiver and cabling solutions that combine four lanes of data transmission in one compact

QSFP-DD for AI Data Centers: 400G/800G GPU Interconnect Guide

This guide explores key technical features for GPU clusters, examines spine-leaf architectures for distributed AI applications, and evaluates whether QSFP-DD or OSFP is better



QSFPTEK Transceiver Best Deals and Price List

QSFPTEK is a one-stop optical transceiver manufacturer and seller. We provide 1G to 400G optics with a vast selection of compatibility and models. Our compatible



FS 400G QSFP-DD: Complete Guide and Solutions

Explore FS 400G QSFP-DD transceivers and cables for cost-effective, low-power, and scalable 400G data center connectivity, supporting



- ✓ Panda PM Fiber Armored Patch Cord - 3.0mm
- ✓ ED-500B/25dB
- ✓ Own factory MOQ 1 piece

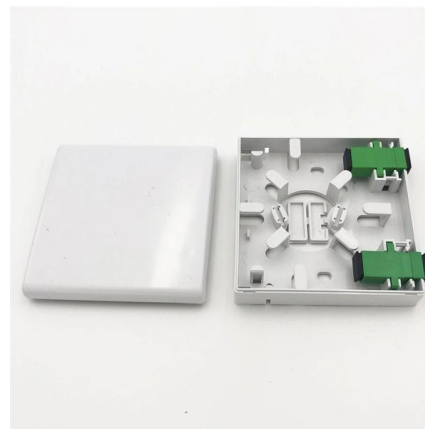
400G OSFP/QSFP112/QSFP-DD , Transceiver Modules

FS provides an expanding portfolio of 400G OSFP/QSFP112/QSFP-DD solutions featuring high-performance, high-bandwidth, and backward compatibility. The



QSFP28 vs QSFP+ vs QSFP - Difference &

This document will focus on QSFP, QSFP+ vs QSFP28. Though they look very similar in physical appearance but the transmit data rates are quite



Cisco QSFP-100G-CWDM4-S= 100 Gigabit Optical Modules Price In Doha Qatar

QSFP-100G-CWDM4-S= Specification QSFP-100G-CWDM4-S= Specification Description Cisco 100GBASE CWDM4 QSFP Transceiver, LC, 2km over SMF Dimensions 13.5 x 18.4 x 72.4 mm





400G QSFP-DD Transceiver Modules

Have any questions? Talk with us directly using LiveChat.



QSFP-40G Price

Check QSFP-40G price from the latest Cisco price list 2022.

Contact Us

For datasheets, pricing, or custom high-speed optical interconnect solutions, please visit:
<https://syropy.com.pl>