

Safety wiring terminals of the distribution box





Overview

Terminal connection: Connect the input and output lines to the terminals in the distribution box in accordance with the principle of "phase wire to phase wire terminal, zero wire to zero wire terminal, ground wire to ground wire terminal" to ensure correct wiring. Whether in a home or an industrial facility, this box keeps your electrical setup organized, functional, and efficient. It is mainly used to isolate fault circuits, prevent overload, and ensure the safe operation of the entire electrical system. The distinction between 1P and 2P circuit breakers plays a pivotal role in determining the appropriate protection level for various circuits.



Safety wiring terminals of the distribution box

Reliable Power Distribution: The Engineering Behind Ukk Splitter Box



Electrical integrity is non-negotiable in high-pressure industrial settings. A UKK splitter box serves as a critical safeguard, preventing thermal runaway and electrical arcing in power distribution networks.

Fiber Terminal Box vs Junction Box: Key Differences

Compare fiber terminal box vs junction box in functions, applications, and installation. Learn which suits FTTH fiber vs electrical wiring.



Distribution Box Wiring Steps

?Marking and Inspection? ?Power Supply Marking?: The AC, DC or different voltage levels of the power supply in the distribution box should be

DB BOX(Electrical Distribution Box): Everything You

Conclusion Selecting the right Electrical Distribution Box is vital for ensuring the safety and efficiency of any electrical system. Whether your project



Distribution Boxes Explained: Types, Functions, and

Learn about distribution boxes, their types, functions, and safety features to ensure efficient and secure electrical power distribution in any building.



Understanding Circuit Breaker Wiring Configurations in

Correct wiring methods for circuit breakers within distribution boxes are fundamental to ensuring electrical safety and compliance with established codes.



Size determination, installation method and wiring mode

The distribution box is the central hub of the home circuit and the general control of our daily power consumption. It is an indispensable electrical equipment. If there



Precautions For Wiring Distribution Boxes Using Terminal Blocks

Use appropriate wiring terminals to ensure that they match the cross-section of the wire. The wiring terminals should be firm and reliable, avoiding looseness and poor contact.

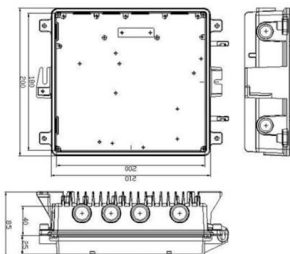
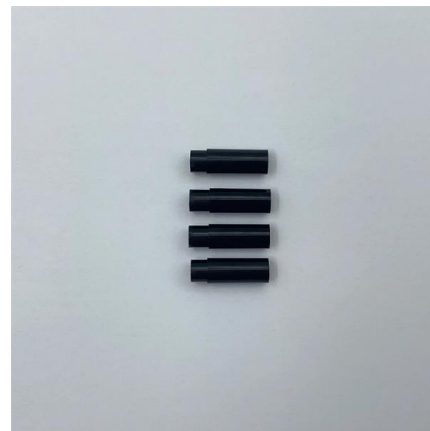


How to Choose a House Distribution Box , CHINT global

A well-chosen distribution box ensures the safety and efficiency of your household electrical system. This article guides you through selecting a

How to Wire an Explosion-Proof Distribution Box and

Proper installation, wiring, and usage are critical to ensuring the safety and functionality of these systems. Below, we will discuss the correct wiring methods



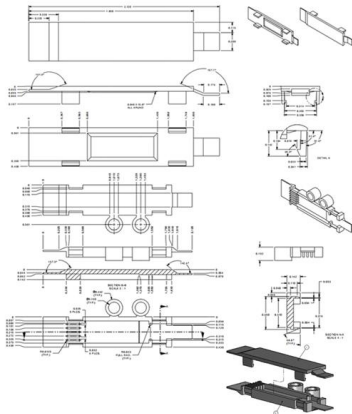
Correct Connection Method Of Grounding Wire Of

Following the above steps and precautions can ensure the correct connection of the distribution box grounding wire, thereby ensuring the safe



The Complete Guide to Distribution Box: Installation, Types & More

Quality distribution boxes represent a wise investment that pays dividends through improved safety, reduced maintenance costs, and enhanced system flexibility. As electrical demands



Requirements And Specifications For Installation Of

All cable inlets and cover joints should have no visible gaps to ensure good sealing. Safety protection: The metal box of the distribution box, the

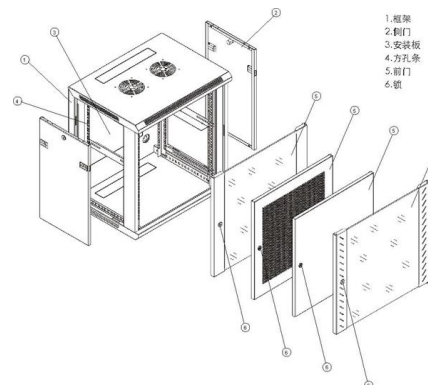


Junction vs. Distribution vs. Terminal Box: The "Start,



How To Wire A Distribution Board (DB Board): A Step-By-Step Guide

A distribution board (DB board), also known as a fuse box or breaker panel, is essential for managing electrical circuits in a building. It distributes electrical power from the main supply to



How to Install a Cable Distribution Box Safely and

Terminal connection: Connect the input and output lines to the terminals in the distribution box in accordance with the principle of "phase wire to



Confused by junction, distribution, and terminal boxes? They often look identical, but their roles are totally different. Here is the simple "Start, Middle,



Distribution Box: Comprehensive Guide on Types, Safety & Technology

Explore the essential functions, types, safety features, and technological advances of distribution boxes for efficient electrical power distribution.



How to Install a Distribution Box--A Comprehensive

Connect the input and output wires to the corresponding terminals of the distribution box. Then press the wire onto the terminal with a wire stripper, or



Requirements And Specifications For Installation Of

The installation requirements and specifications of Distribution box involve many aspects, including site selection, fixing method, wiring specifications



Understanding Distribution Boxes:A Comprehensive Guide

iv) Terminals: These are connection points where wires are securely attached, ensuring proper wiring and safety. v) Switches and Indicators: Some



Using the Safety Distribution 'R' Box

The distribution box has a 19-pin M23 connector to interface with the machine safety system and control system. A patchcord to a bulkhead connector can be used or a 19-wired cordset (not shown) could



Cautions and Requirements for Installation of

Distribution box is a low-voltage distribution device which assembles switchgear, measuring instruments, protective appliances and auxiliary equipment in a closed



What is the Internal Structure of The Distribution Box

Learn about the internal structure of a distribution box, its components, functions, and key types. Understand its role in electrical systems





Precautions For Wiring Distribution Boxes Using Terminal Blocks

In summary, when using terminal blocks for wiring in distribution boxes, attention should be paid to multiple aspects to ensure the correctness and safety of the wiring. Operators should strictly comply



Contact Us

For datasheets, pricing, or custom high-speed optical interconnect solutions, please visit:
<https://syropy.com.pl>