

Sales of direct-buried optical cables in Serbia





Sales of direct-buried optical cables in Serbia



Microsoft Word

Direct Burial Cable Features The unique second coating and stranding technology provide the fibres with enough space and bending endurance, which ensure good optical property of the fibres in the

Direct Buried Cable Specification , PDF , Dispersion

Standard Direct Buried Cable - Free download as PDF File (.pdf), Text File (.txt) or read online for free. This 3-page document is a specification sheet from Lite



Direct Buried Fiber Optic Cables , Optical

In the absence of duct infrastructure, cables can be buried directly into the ground in a trench or using a vibratory plow.

Direct Buried Cable Installation PDF , PDF , Cable

1.1 This installation procedure is intended as a basic guideline for the installation of direct buried fiber optic cable. It is intended for personnel with prior experience in



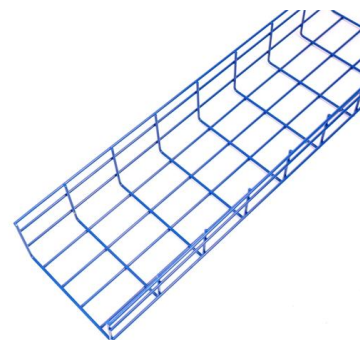
Serbia's Optical Fibers and Bundles Market Report 2025

In 2024, the Serbian optical fiber and bundle market increased by 2.7% to \$230K, rising for the second year in a row after two years of decline. Over the period under review, consumption, however,



Serbia's Optical Fiber Cables Market Report 2026

This report provides a comprehensive view of the optical fiber cables industry in Serbia, tracking demand, supply, and trade flows across the national value chain.



Serbia: Optical Fibre Cables Market

This report presents a comprehensive overview of the optical fibre cables market in Serbia and a forecast for its development in the next five years, taking into account the impact of COVID-19 on it.



Serbia Fiber Optic Cable Market (2025-2031) , Value & Forecast

Our analysts track relevant industries related to the Serbia Fiber Optic Cable Market, allowing our clients with actionable intelligence and reliable forecasts tailored to emerging regional needs.

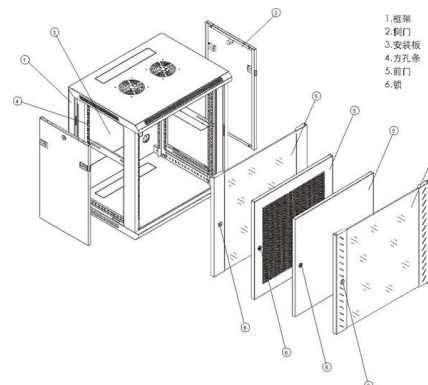


Direct Buried Optical Cable Laying Requirements

There are many requirements for laying direct-buried optical cables, and the direct-buried depth of optical cables is one of them. We all know that the attenuation of optical fiber signals in

Serbia Fibre Optic Cables Market (2026-2032) , Revenue & Forecast

Serbia Fibre Optic Cables Market: Import Trend Analysis From 2023 to 2024, Serbia`s import trend for fibre optic cables experienced a decline of -17.45%, with a compound annual growth rate (CAGR) of



Serbia: Singlemode Optical Fibre Cables Market Report

The Serbian Singlemode Optical Fiber Cables Market Report Description This report presents a comprehensive overview of the Serbian singlemode optical fiber cables market, the effect of recent

Optical fibres and cables in Serbia Trade ,



The Observatory of

Find the latest exports, imports and tariffs for Optical fibres and cables trade in Serbia.



Serbia: Optical Fibre Cables Market Report

The report provides a strategic analysis of the optical fiber cables market in Serbia and describes the main market participants, growth and demand drivers, challenges, and all other factors, influencing



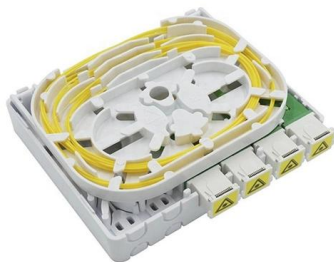
Directly buried optical cable joint box

How to waterproof the direct-buried optical cable splice box? Why does the direct-buried optical cable splice box get in water? The structural design of the splice box is not suitable for direct



optical fiber cables Wholesaler Serbia

All suppliers for optical fiber cables Wholesaler Serbia Find wholesalers and contact them directly B2B marketplace Find companies now!





Direct Buried Fiber Optic Cable Price And Installation

HOC produces all types of direct buried fiber optic cable, and supply with customized specifications for your project. Get a quote today!



Serbia Fiber Optical Cable and Cable Assembly Products Market

Historical Data and Forecast of Serbia Fiber Optical Cable and Cable Assembly Products Market Revenues & Volume By Wind Turbine Equipment Manufacturers for the Period 2020-2030

Buried Installation of Optic Fiber Cable

Abstract Buried cable is a kind of communications cable which is especially designed to be buried under the ground without any kind of extra covering, sheathing, or piping to protect it. This cable is built to



Serbia: Market of Optical Fibres, Fibre Bundles and Fibre Cables

o Structure of the Serbian exports of optical fibres, fibre bundles and fibre cables by types of optical fibres, fibre bundles and fibre cables in the last 5 years, in value terms





Serbia Fibre Optic Cables Market (2026-2032) , Revenue & Forecast

6Wresearch actively monitors the Serbia Fibre Optic Cables Market and publishes its comprehensive annual report, highlighting emerging trends, growth drivers, revenue analysis, and forecast outlook.



Serbia: Singlemode Optical Fibre Cables Market Report

This report presents a comprehensive overview of the Serbian singlemode optical fiber cables market, the effect of recent high-impact world events on it, and a forecast for the market development in the

Direct Buried Fiber Optic Cables , Corning

In the absence of duct infrastructure, cables can be buried directly into the ground in a trench or using a vibratory plow.



Optical Fiber Cables Price in Serbia

In 2023, imports of optical fiber cables into Serbia surged to 1.2K tons, with an increase of 39% against the previous year.



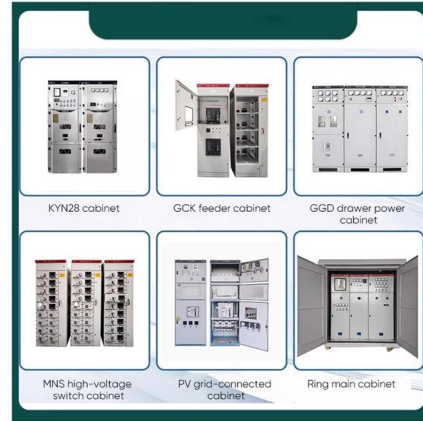
About Us

Cable telecommunication company. Installation of FTTH, GPON networks. Construction of passive optical network. We are a company involved in consulting, designing, construction and maintenance



Optical Fiber Cables Wholesale Suppliers, Manufacturers

Buy premium Optical Fiber Cables in bulk from verified wholesale suppliers and manufacturers in Serbia. Best prices, bulk discounts, trusted deals at go4WorldBusiness .



Serbia's Optical Fibers and Bundles Market Report 2025

Imports of Optical Fibers and Bundles Imports into Serbia In 2024, supplies from abroad of optical fibers and bundles increased by X% to X tons, rising for the second year in a row after two years of decline.



Direct Buried Fibre Optic Cable Price And Installation

HOC produces all types of direct buried fibre optic cable, and supply with customized specifications for your project. Get a quote today!



Serbia , Imports and Exports , World , Insulated wire, cable and other

The share of commodity group 8544 in total exports from Serbia increased by 0.534 p.p. compared to 2022 (it was 6.46% in 2022 and cumulative exports from Serbia were equal to \$ 29 billion).



Direct Burial Fiber Optic Cable

Direct burial is the most convenient way to lay optical cables, and it also saves the cost of pipeline and overhead installation. Generally speaking, direct-buried

Contact Us

For datasheets, pricing, or custom high-speed optical interconnect solutions, please visit:
<https://syropy.com.pl>