

# **Simplified diagram of optical cable laying**





## Simplified diagram of optical cable laying

---

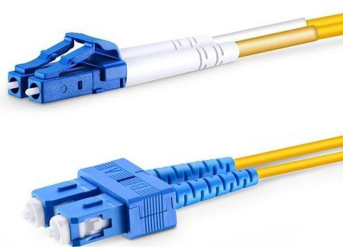


### Different fiber-optic cable installation and layout methods

Download scientific diagram , Different fiber-optic cable installation and layout methods and their characteristics. from publication: Distributed Acoustic Sensing

### Fiber Optic Cable Construction

A main purpose of a fiber optic cable is to protect the fiber core inside the cable that carries the light signal transmission. The following diagram shows the construction of a fiber optic cable.



### Fiber Optic Cable Installation: How To Properly Install It

A comprehensive guide to fiber optic installation - everything you need to know about fiber optic cabling for your network

### Master Your Fibre Optic Installation: Step-by-Step Best Practices

Estimating Installation Expenses Calculating the financial outlay for fiber optic cable installation requires an assessment of material expenses, workforce charges, and network size.

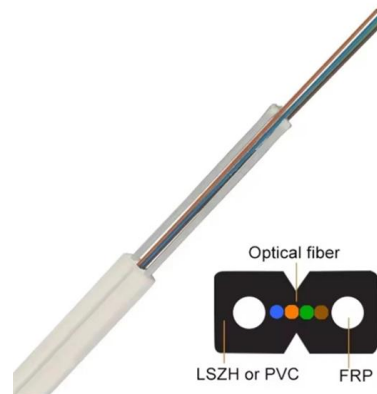


### FIBER OPTICAL COMMUNICATIONS (R17A0418)

UNIT I general Optical Fiber communication system, advantages of optical fiber communications. Optical fiber wave guides- Introduction, Ray theory t ansmission, Total Interna Fiber materials, Fiber

### OPTICAL FIBRE CABLE APPLICATIONS GUIDELINES

However, no single optical cable design is universally superior in all applications. In general, optical fibre cables installed in an outdoor environment are exposed to more severe mechanical and



### Fiber Optic Cable Diagrams: Decoding the Blueprint of High-Speed

This article will decode these diagrams, explaining the layered structure of a cable, the core science of light guidance, and the different designs tailored for specific tasks.





### Schematic diagram of fiber-optic cable layout and sensing

Schematic diagram of fiber-optic cable layout and sensing. Reprinted with permission from Ref. . 2020, Elsevier. In the figure, ? represents the phase information, L



### An Extensive Library of Self-Developed Products



### Intro to Fiber-Optic Communication Systems

On the contrary, optic fiber links, whether utilized for video or audio links over long or short ranges, offer some unique advantages as compared to

### Optical Fiber Cable Installation Guideline

Installation procedures for open placement of fiber optic cables are the same as for electrical cables. Care should be taken to avoid sudden, excessive force so as not to violate tensile load and radius



### Duct and Optical Fiber Cable Laying Technique

Duct laying technique is the most traditional method of underground cable installation and involves creating a duct network to enable post-installation



## How to Install Fiber Optic Cable: Step-by-Step Guide

Learn how to install fiber optic cable with Network Drops' easy step-by-step guide. Follow the process for quick and effective results.

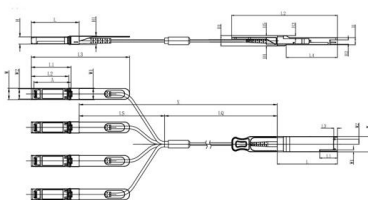


## Fiber Optic Cable Installation and Handling Instructions

The information contained in this manual should serve as a guide to proper handling, installing, testing, and for troubleshooting problems with fiber optic cables.

## OPTICAL FIBRE CABLES INSTALLATION GUIDE

Cable laying refers to deploying the optical fibre cable between the ends to be connected. There are several laying methods depending on the area where the cable laying needs to take place.



Unit mm

OSFP28	L	L1	L2	L3	L4	W	W1	W2	H	H1	H2	H3	H4	H5	H6
Max	72.2	-	128	4.35	61.4	18.45	-	6.2	8.6	12.4	5.35	2.5	1.6	2.0	-
Type	72.0	-	4.20	61.2	18.35	-	-	8.5	12.2	5.2	2.3	1.5	1.8	6.55	-
Min	68.8	16.5	124	4.05	61.0	18.25	2.2	5.8	8.4	12.0	5.05	2.1	1.3	1.6	-

SFP28	L	L1	L2	L3	W	W1	W2	H	H1	A
Max	57.6	47.7	44.55	119.9	13.8	14.0	12.3	8.7	10.3	45.35
Type	57.4	47.5	44.35	117.9	13.55	13.8	12.1	8.5	10.1	45
Min	57.2	47.3	44.15	115.9	13.3	13.6	11.9	8.4	9.9	44.65

## How To Lay Underground Optical Cables

Laying underground optical cables doesn't sound like a complicated job, but you'll be surprised how often it's not done according to protocol.



## Network Diagram for Fiber Optics

Learn how fiber optic networks distribute data from central offices to end users. This diagram highlights media converters, switches, and cable types.



### Design Guide

Fiber optic cables, especially backbone cables, may contain many fibers that connect a number of different links which may not even be going to the same place. The fiber optic cable plant, therefore,

### Fiber Optic Cable with Diagram , Types of Fiber Optic

What is Fiber Optic Cable? Definition: Fiber optic cable is also called the " Optical Fiber Cable ", and it is simply Ethernet networking cable that



### Fiber Optics Network Diagram , EdrawMax Template

- Single UTP Cable is configured in residential homes. Conclusion Fiber optical networks use signals encoded onto light to transmit information



## Basics of Fiber Optics

Lower loss: Optical fiber has lower attenuation (loss of signal intensity) than copper conductors, allowing longer cable runs and fewer repeaters.  
No sparks or shorts: Fiber optics do not emit sparks or cause



## Handbook Optical fibres, cables and systems

Calculation considerations are indicated in Figure 3-1. Here the cable is approximated as flexible, and the route between deviations and inclinations is considered straight. When taking into account cable

## Common laying methods and requirements of outdoor

There are three common laying methods for outdoor optical cables, namely: underground pipeline laying (that is, laying optical cables in underground



## Route Design/Cable Laying Technologies for Optical Submarine Cables

3. Route Design Based on the results of marine route surveys and information regarding existing structures (such as fish nets etc.), the cable route is designed by taking into consideration the ease



## How to Install Fiber Optic Cables: A Step-by-Step Guide

In the ever-evolving landscape of telecommunications and data transmission, the installation of fiber optic cables has become a crucial component in ensuring high



## OF Cable Laying Process Guide , PDF , Trench

OF Cable Laying Process Guide The document discusses procedures for laying optical fiber cables, including inspection of routes, trenching, pipe selection and

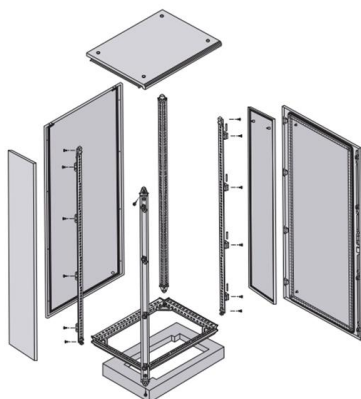
## How to Properly Install Fiber Optic Cable: A Step-by

Fiber optic cable installation necessitates a high level of skill and attention to detail. If done incorrectly, it can lead to poor performance and



## Schematic diagram of fiber-optic cable layout and

The article presents research on the performance of different distributed fibre optic sensing (DFOS) tools, including both layered cables and monolithic composite



## Fiber Optic Cable Installation and Handling



## Instructions

Introduction Fiber optic cables can be easily damaged if they are improperly handled or installed. It is imperative that certain procedures be followed in the handling of these cables to avoid damage



## Fiber Optic Cable diagram: Overview, Questions, Preparation

Get complete overview of Fiber Optic Cable diagram at Shiksha . Learn easy Tricks, Rules, Download Questions and Preparation guide on Fiber Optic Cable diagram.

## Understanding Network Diagrams and Splice Diagrams

Idea of a network diagram Fiber optic network diagrams represent the architecture and connectivity of fiber optic systems, and their design philosophy



## Contact Us

---

For datasheets, pricing, or custom high-speed optical interconnect solutions, please visit:  
<https://syropy.com.pl>