

Solder-free cable tray accessories





Solder-free cable tray accessories



Rooftop Pyramid Tool-Free Cable Tray Support Kit, 12.52"

Pins and mounting holes accommodate most perforated cable tray Ready to use out of the box, saving installation time and labor Additional pins can be purchased separately Foam bottom offers low

Cable Tray Accessories , RS

Cable trays are components used in the wiring of buildings to support insulated cables and organise them to be hidden from view. They offer an alternative to open wiring or electrical conduit systems



Cable Tray Accessories , SMC

SMC has the cable tray accessories you need in stock today.



Cable Tray Accessories, Cable Tray Hangers & Support , RS

Cable trays are components used in the wiring of buildings to support insulated cables and organise them to be hidden from view. They offer an alternative to open wiring or electrical conduit systems



A Guide to Cable Tray Accessories and Their Functions

Explore a detailed guide to cable tray accessories and understand their uses in ensuring safety, stability, and efficiency in electrical system

Cable Tray Accessories , RS

Browse our range of High-Quality Cable Tray Accessories. Buy Cable Tray Hangers, Cable Tray Supports, and Cable Tray Fittings. Shop Today!



Cable Trays and Accessories , Cable Management , YESSS Electrical

Popular product types include straight couplers, risers, bends, tees, reducers, and tray covers, with options in pre-galvanised or hot-dip galvanised steel. For durable, adaptable, and regulation



Cables, Cable Glands, Trays and Accessories

AEL is a specialist supplier of Onshore/Offshore Cables, Hazardous Area Cable Glands, Cable Trays and Accessories. Explore our range now

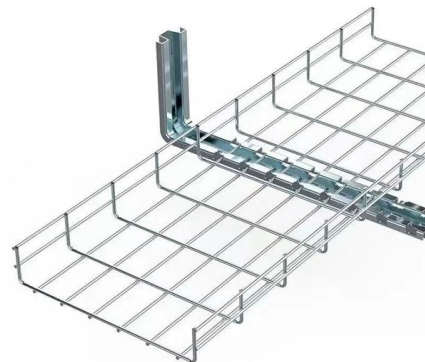


CATALOG Cable Tray Cable tray systems

T& B® Cable Tray products are formed from the 6063 series alloys, which by design are copper-free alloys for marine applications. These alloys contain silicon and magnesium in appropriate proportions

CABLE MANAGEMENT SYSTEMS CABLE TRAYS & ACCESSORIES

We manufacture a wide range of products capable of providing the characteristics which respond to the proposed application, along with quality of assembly, speed of installation, and cost-saving cable trays.



Cable Tray and Accessories , nVent CADDY

Tool-free, universal attachment for wire basket tray to standard strut profiles. Works with any commercially available wire basket tray. Ideal compliment to our CADDY cable tray support offering.



Cable Tray Technical Guide A practical guide to product selection and

Cable Tray Technical Guide A practical guide to product selection and installation This guide for engineers and installers has been developed by ABB as a practical reference regarding cable tray



Pentax Ferro Incroporate

Cable trays are an assembly of formed metal sections, connected by splice plates to provide an economical and rigid structure for supporting a wide range of electric

A T & B Cable Tray Metallic cable tray

Introduction Cable tray wiring systems offer significant advantages over conduit pipe and other wiring systems. Cable tray is more cost efficient, more reliable, more adaptable to changing needs and



Cable Tray Accessories, Cable Tray Hangers & Support , RS

Browse our range of High-Quality Cable Tray Accessories. Buy Cable Tray Hangers, Cable Tray Supports, and Cable Tray Fittings. Shop Today!



Cable Tray Accessories

Cable Tray ABW4SB-3 Barrier Strip, 3 m L x 4 in H, For Use With Aluminum Cable T



Cable tray

ABB designs and manufactures cable tray systems, including perforated tray, cable ladder, channel tray and strut (metal framing).

Cable Tray Accessories , Light, Medium & Heavy Duty

Cable tray accessories including light, medium, and heavy duty cable tray. Durable cable tray widths from 50mm to 150mm for all installations.



Cable trays Cable trays

Stainless steel and plastic cable trays provide interference-free routing for sensitive measurement, data, and instrumentation cables in cleanroom and technical



Cable Tray Accessories , McMaster-Carr

Choose from our selection of cable tray accessories, including cable and hose trays, steel formable cable and hose trays, and more. Same and Next Day Delivery.

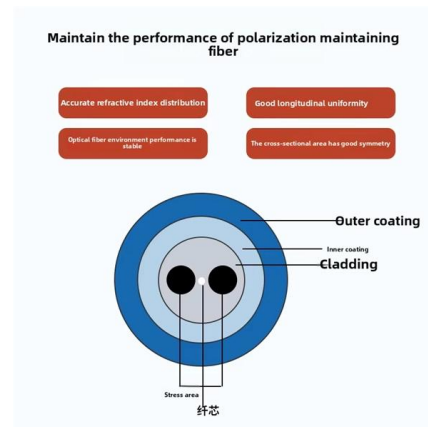


Cable Tray Fitting Accessories

These cable tray fittings and accessories are essential for the seamless installation of an integrated cable management system, allowing for functions such as

Cable Tray Accessories , Cable Tray Accessories Manufacturers

Ramdev Steel Industries is a reliable manufacturer of cable tray accessories, offering a wide range of products for effective and organized cable management solutions.



Niedax Catalog for cable support systems

Cable tray system The cable tray system offers maximum flexibility and cost-effectiveness. The wide-ranging program guarantees that the most diverse



Cable Tray Accessories and Load-Bearing Requirements

Explore the essential factors in selecting cable tray accessories, including environmental conditions and load-bearing requirements.

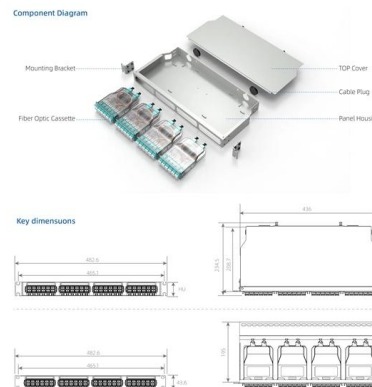


Cable Tray

CES CT450 Cable Tray 450mm 2.4Mtrs
CES CT600 Cable Tray 600mm 2.4Mtrs
CES CT75 Cable Tray 75mm 2.4Mtrs
CES CT100

Cable Tray And Fittings , Graybar Store

A cable tray system is used to support insulated electrical cables used for power distribution, control, and communication. Cable trays are used as an alternative to open wiring or electrical conduit



MDM

Ladder Tray Accessories Why MDM? Our company strictly follows QMS, and we strongly believe that "if we take care of the system, the system takes care of us." Fully automated CNC manufacturing facility



CABLE TRAY SYSTEMS GUIDE

Cable Tray Systems Guide HUBBELL Hubbell Wiring Device-Kellems and Hubbell Premise Wiring are divisions of Hubbell Incorporated, a U.S. headquartered manufacturer with over 130 years of



Contact Us

For datasheets, pricing, or custom high-speed optical interconnect solutions, please visit:
<https://syropy.com.pl>