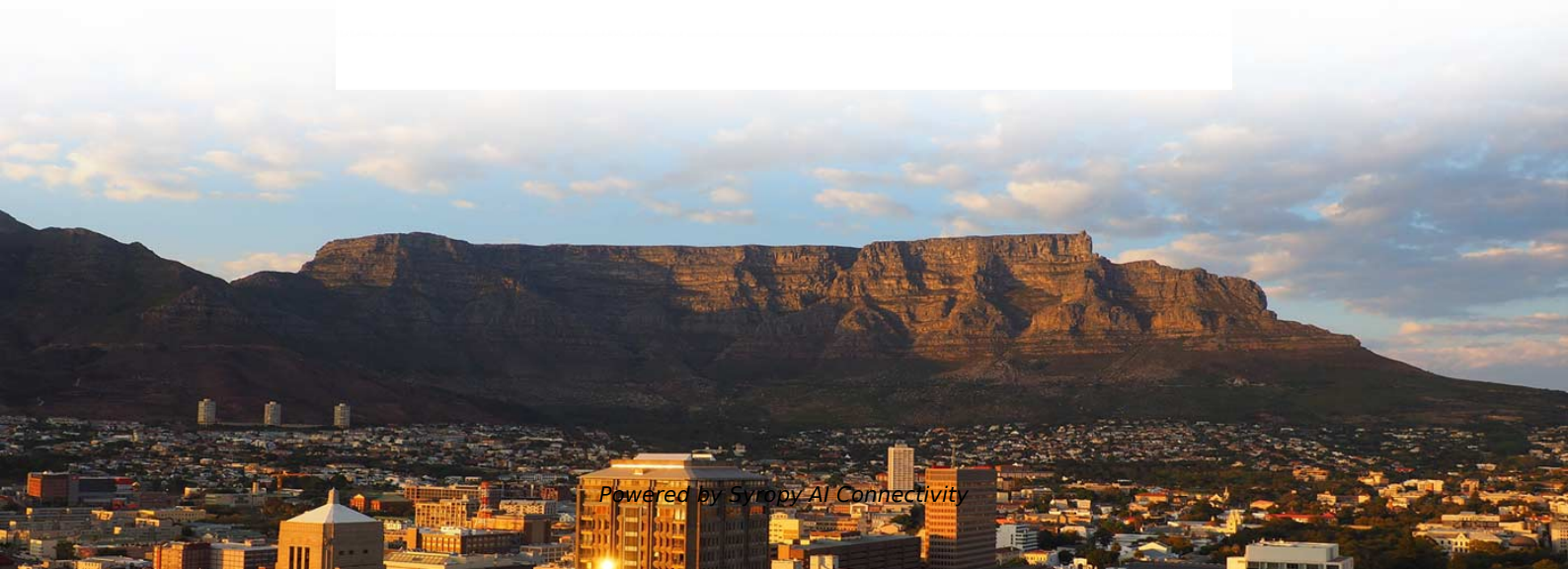
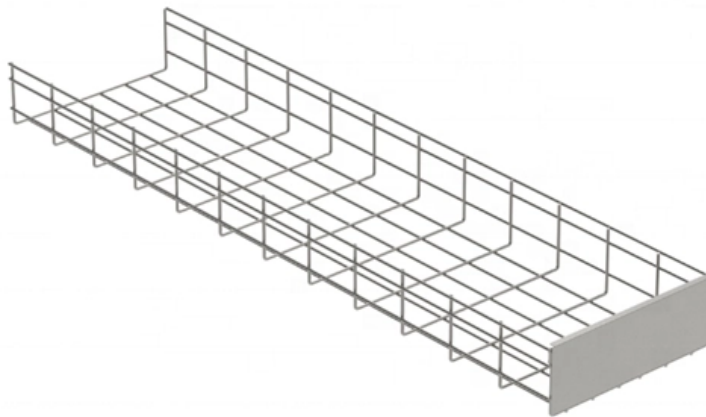


Standard Requirements for Thickened Distribution Boxes on Construction Sites





Overview

Ensure safe placement: install in dry, accessible areas with good ventilation and at appropriate height (typically ~1. Choose the right box based on environment (indoor/outdoor), load capacity, and durability. The installation requirements and specifications of Distribution box involve many aspects, including site selection, fixing method, wiring specifications and safety protection. They handle everything from simple 120/240V single-phase loads to powerful 480Y/277V three-phase applications.



Standard Requirements for Thickened Distribution Boxes on Constr

Design requirements and standards for low voltage



You need to understand the main standards and codes that guide the safe design and use of low voltage distribution boxes. These rules help you meet

unused-My-Wallet/mnemonic_words_v3.html at master

a aa aaa aaaa aachen aah aaahs aam aardvark
aargh aaron aaronson aas ab aba ababa abacha
aback abacus abad abalone abandon abandoned
abandoning abandonment abandons

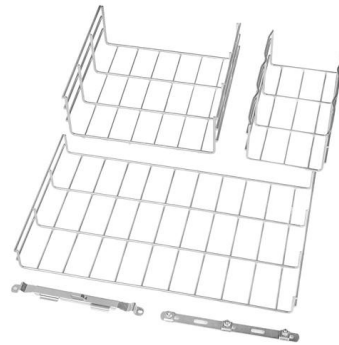


Electric Service Standards

This direct communication is essential to mutually understanding service needs and requirements, and the ability of FPL to provide prompt and adequate electric service. FPL's ESS is revised periodically

font-testing-page/includes/dictionaries/english.php at

A webpage for testing typefaces during their development, live at - davelab6/font-testing-page



display/node_modules/zxcvbn/dist/zxcvbn.js.map

gitlab stea : clap de fin Après 10 ans de bons et loyaux services, la forge institutionnelle de feu Irstea baissera le rideau le 30 juin 2026 prochain
Nous

Requirements for distribution box at construction site

Rubber insulated cables shall be used for the incoming and outgoing lines, and the incoming and outgoing ports shall be set at the lower end face of the box body, with protective rings added.



CONSTRUCTION DRAWINGS FOR CITY OF VALDOSTA, GEORGIA

A ONE LINE POWER DIAGRAMS POWER CONTROL - FOUINEMENTS FOR AND SIGNAL WIRING REQUIREMENTS ELECTRICAL DISTRIBUTION EQUIPMENT AND UTILIZATION EQUIPMENT

Building Construction Industry Guideline



As part of an earlier industry initiative to address areas of high risk, an appropriate Industry Guideline for Safe Electrical Practices on Construction and Demolition Sites (the guideline) was developed. Since



Temporary Jobsite Power Setup: NEC & OSHA Compliance Guide

Ensure NEC & OSHA compliance with your temporary jobsite power setup using a reliable industrial portable power station.

World War Wednesday: Ice Cream and Hospital Ships

Ice Cream, the Navy, and World War I I've been getting a lot of calls for information about ice cream lately, and that has sent me down a rabbit hole. I



Requirements And Specifications For Installation Of

The installation requirements and specifications of Distribution box involve many aspects, including site selection, fixing method, wiring specifications



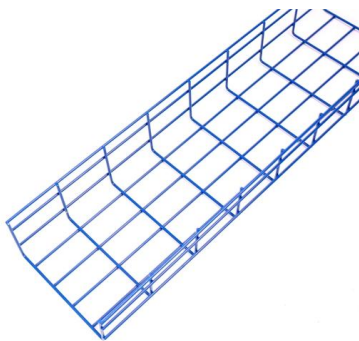
language-confusion/words at main · Cohere-Labs-Community

Repository for the "Understanding and Mitigating Language Confusion in LLMs" paper - Cohere-Labs-Community/language-confusion



gpt-4o_standard (10 options)_direct.jsonl

A histogram of these CD4+ cell counts has shown that the distribution is negatively skewed.



IMDB Dataset Reviews Model training

(3000, 38918) ['00000110', '0069', '007', '010', '02', '05', '0510', '053105', '07', '0br', '0clock', '0s', '10', '100', '1000', '10000', '100000', '10002000', '100b



Our Publications

It is distributed without charge to all member/owners of the cooperative. is a member-owned cooperative providing a complete telecommunications solution (internet, video, voice, wireless





ENERGYBOX Assemblies for Construction Sites (ACS)

We recommend to install these distribution boards in civil building sites, market areas, outdoor events, festivals and temporary electrical distribution.



Expert Guide: Select the Right Temporary Power Distribution Box

Safe and efficient power management requires reliable temporary power distribution boxes at construction sites, events, and emergency operations. These versatile units substantially reduce

How To Maximize Worksite Safety When Using Power Distribution Boxes

It's important to make sure you review all OSHA regulations and other applicable standards when implementing temporary power distribution boxes. If you're working on a



(PDF) The first 1000 days: window of opportunity for

The first 1,000 days of a child's life, spanning from conception to their second birthday, represent a pivotal period that shapes their future health, cognitive abilities, and overall wellbeing



lemmatization-lists/lemmatization-en.txt at master · michmech

Machine-readable lists of lemma-token pairs in 23 languages. - michmech/lemmatization-lists



Microsoft Word

It is intended to assist the field engineers and technicians to achieve uniform standard in construction to ensure a satisfactory and economical level of service without operation restrictions so that the

Temporary Power Safety: Distribution Boxes + Industrial

Learn how construction power, temporary electrical boxes, and IP67 connectors combine with E-abel distribution panels and Weipu industrial



cs-178-project/imdb.vocab at main · apmalani/cs-178-project

Contribute to apmalani/cs-178-project development by creating an account on GitHub.



Temporary Power Safety Solutions

While the requirements for safely distributing power at construction sites, street fairs, carnivals, convention centers, and the like attempt to mimic those for permanent



Handbook PO-632

Construction Accessibility Guidelines Accessibility requirements and regulations, including those required to accommodate customers with disabilities, may vary by type of facility and governing

PUBLIC WORKS STANDARDS

BACKGROUND The Public Works Standards as adopted by the Council provide for an upgraded design level from the County Standards to reflect the suburban nature of Santee. These standards are



AshwinD24's gists · GitHub

GitHub Gist: star and fork AshwinD24's gists by creating an account on GitHub.



1926.405

1926 Subpart K Subpart Title: Electrical Standard
Number: 1926.405 Title: Wiring methods,
components, and equipment for general use.



redundancy_reduction_longdoc/vocabulary_ pubmed.json at master ·

This is the official code for the paper
'Systematically Exploring Redundancy Reduction
in Summarizing Long Documents'. - Wendy-
Xiao/redundancy_reduction_longdoc

Contact Us

For datasheets, pricing, or custom high-speed optical interconnect solutions,
please visit:
<https://syropy.com.pl>