

Standard wiring diagram for construction distribution boxes





Standard wiring diagram for construction distribution boxes

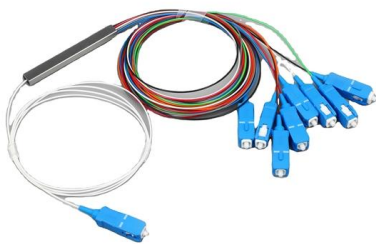


Distribution Box Guide: Types, Components & Solutions

Understand distribution boxes (DB boxes) in 5 minutes. Learn about types, components, functions, and uses. Find the perfect DB box for your needs.

Symbols for Electrical Construction Drawings

This publication describes graphic symbols used to represent electrical wiring and equipment on construction drawings. In this publication, the term "electrical" is used to include electrical, electronic,



directory-list-2.4.txt/directory-list-2.4.txt at main

Customer stories Events & webinars Ebooks & reports Business insights GitHub Skills

DIY Wiring a Consumer Unit and Installation

. DIY Wiring a Consumer Unit or Distribution Board- Single Phase. Installation work described here is according to British Standards. [IEE Regulations and Practice



How to Wire a Home Distribution Box

In this video, we'll walk you through the process of wiring a home distribution box with a detailed connection diagram.



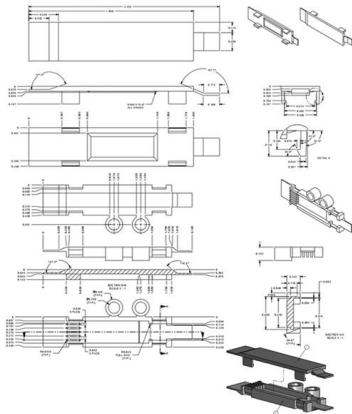
How to Wire a Home Distribution Box

In this video, we'll walk you through the process of wiring a home distribution box with a detailed connection diagram. Whether you're an electrician or a DIY



How to Install a Distribution Box--A Comprehensive

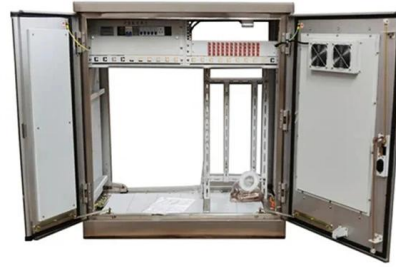
First of all, you need to have a simple understanding of the definition of a distribution box, and make it clear which kind of distribution box you want to





A Step-by-Step Guide to Wiring an Electrical Panel Box

Find out how to properly wire an electrical panel box with a comprehensive diagram and step-by-step instructions.



How to Install a Distribution Box--A Comprehensive

Whether you are an electrical contractor or a construction brigade, knowing how to properly and safely install distribution boxes is the basis of

How to Read Electrical Blueprints: A Complete Guide to

Electrical drawings or schematic diagrams give a visual representation of electrical systems and electrical wiring for electricians and electrical engineers



How to Wire a Home Distribution Box

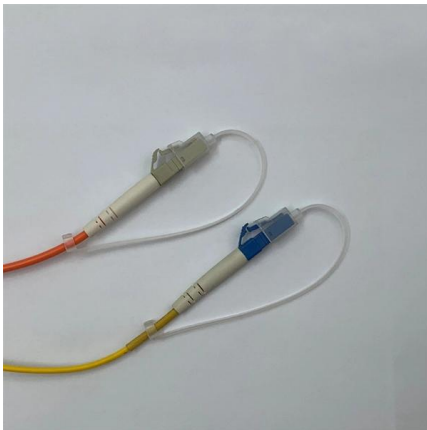
How to Wire a Home Distribution Box - Step-by-Step , Distribution DB box wiring diagram
Welcome to our channel! In this video, we'll walk you through





Understanding Circuit Breaker Wiring Configurations in

Correct wiring methods for circuit breakers within distribution boxes are fundamental to ensuring electrical safety and compliance with established codes.



A step-by-step guide to wiring your breaker box

Learn how to read and understand wiring diagrams for breaker boxes to ensure proper electrical configurations and safety measures.

Distribution Box Wiring Steps

?Wiring Direction?: Wiring between the main circuit breaker and each branch circuit breaker in the box generally goes on the left, and the wiring out of



The Essential Guide to Understanding Electrical

5. Consider the layout and physical arrangement: Electrical distribution system diagrams may also include the physical layout of the electrical system, showing



IEC Standard for Power Distribution Board Design and

Final Thoughts on Power Distribution Board Design Designing a power distribution board that complies with IEC Standards is essential for safety,



Microsoft Word

7. WIRING STANDARD BOXES AND CABINETS The wiring must be performed using flexible T wires with end fittings arranged in ducts made from an insulating material with a cover (wiring ducts). It

DIY Wiring a Consumer Unit and Installation

Here we are considering a Distribution Board with MCBs [Miniature Circuit Breakers] for power distribution. Installation work described here is according to British



6 Terminal Junction Box Wiring Diagram: A Complete

Learn how to wire a terminal junction box with a detailed diagram. This article provides 6 different wiring diagrams for various applications.



Complete Guide For Distribution Boxes Types

Distribution boxes, also known as electrical distribution boards or panels, are pivotal components in electrical systems, ensuring the safe and organized distribution of



The installation requirements for the distribution box

Introduction
Understanding The Components of A Distribution Box
Selecting The Right Distribution Box
Site Preparation and Location Requirements
Electrical Connections and Wiring
Compliance with Standards and Regulations
Conclusion
A distribution box is a crucial part of any electrical system. It's divided into two main sections that work together to keep everything running smoothly and safely. See more on eabel Published: Feb 7, 2025 Scribd

Electrical Installation Drawing Guide , PDF , Electrical

This document discusses two types of electrical drawings used in installation

Construction site distribution box Multipower
Robust full rubber housing, impact resistant, oil-, UV- and acid resistant. Stable steel fully galvanized frame. Protected with a ground fault interrupter and circuit



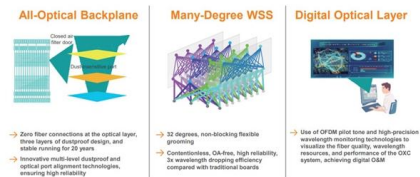
Structured Wiring for New Construction Homes



We've posted videos and several diagrams throughout this article to help demonstrate certain processes from planning to finishing out the wiring.

Distribution Box Wiring Steps

?Wiring and Binding? ?Wiring Direction?: Wiring between the main circuit breaker and each branch circuit breaker in the box generally goes on the left, and



Two Outlets in One Box Wiring Diagrams

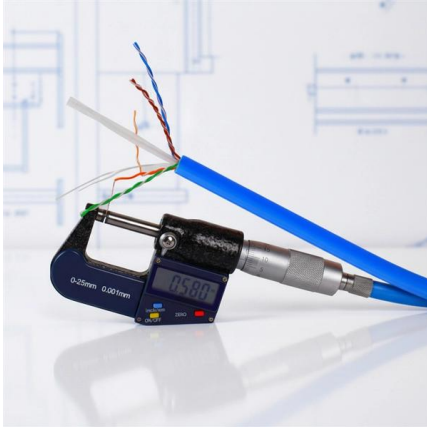
Easy-to-read double-gang wiring diagrams for two outlets in one box, 2 switches in one box, switch and outlet in same box.

Distribution Box and Selection Guide

This tutorial walks you through the process of wiring a single-phase house. It explains the wiring diagram, showing how to connect various circuits



Power Distribution Boxes Explained Simply



Learn what a power distribution box is, how it works, key components, types, and why it's vital for safe and efficient electrical systems.

Requirements And Specifications For Installation Of

In flammable and explosive environments, explosion-proof distribution boxes should be selected and explosion-proof treatment should be carried out.



Contact Us

For datasheets, pricing, or custom high-speed optical interconnect solutions, please visit:
<https://syropy.com.pl>