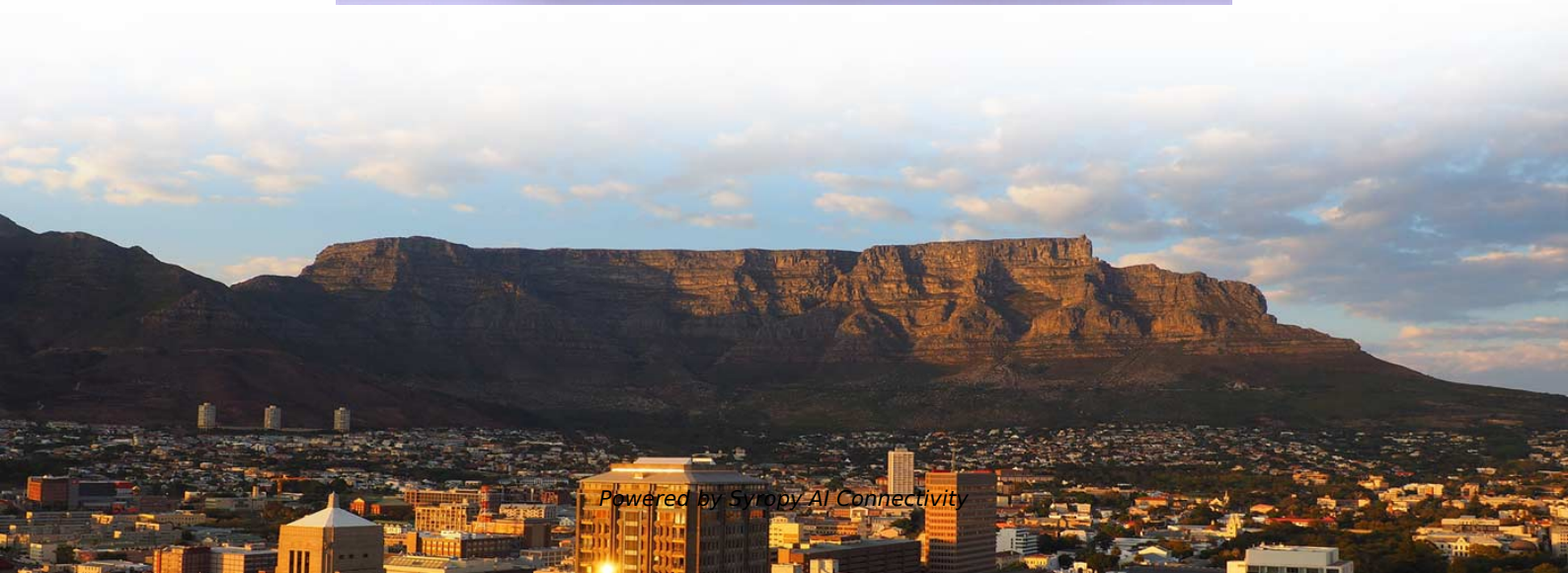


Syria Outdoor Waterproof Distribution Box





Syria Outdoor Waterproof Distribution Box



2. Imported design is convenient for expansion.

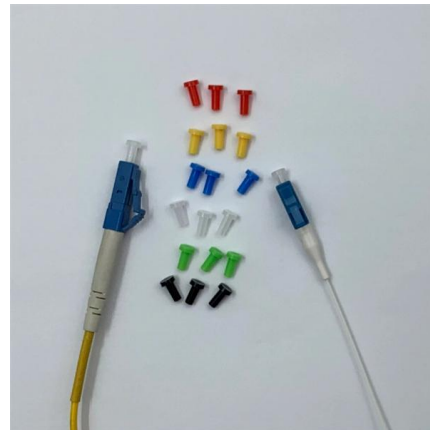
The design of two inlets saves space and allows for rear line entry.

Distribution Box waterproof IP 55

Outdoor distribution box: From IP 55 to IP 66, it is usually used for outdoor surveillance, billboards, gardens, street lights, and caves that require certain waterproof and dust-proof protection to prevent

IP65 Waterproof 4-Way DIN Rail Distribution Box With

Key item features - ****IP65 Waterproof Rating****:
The SGHA 4WAY Distribution Box boasts an IP65 rating, ensuring complete protection against dust and low



Outdoor Distribution Box SHA Series

The SHA series of outdoor power distribution boxes is a multi-functional power distribution equipment suitable for indoor and outdoor environments. It is made of



Syria Distribution Box 220x170x120

- The Waddah Distribution Box 220x170x120 is a durable and versatile electrical enclosure designed to provide protection and organization for electrical components in various applications.



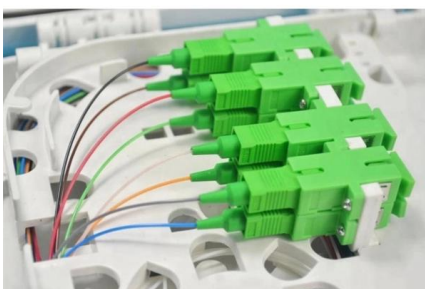
GDB Waterproof Circuit Breaker Distribution Box

PRODUCT FEATURES It is applicable for special waterproof, dustproof and corrosion-proof locations Executive standard: IEC60529, EN 60309, IP65

All-Optical Backplane	Many-Degree WSS	Digital Optical Layer
<ul style="list-style-type: none"> → Zero fiber connections at the optical layer, three layers of diagonal design, and stable running for 25 years → Innovative multi-level diagonal and optical port alignment technologies, ensuring high reliability 	<ul style="list-style-type: none"> → 32 degrees, non-blocking flexible grooming → Contentionless, OA-free, high reliability, 2x wavelength dropping efficiency compared with traditional boards 	<ul style="list-style-type: none"> → Use of OFDM pilot tone and high-precision wavelength monitoring technologies to visualize the fiber quality, wavelength resources, and performance of the ODC system, achieving digital OAM

Key Steps When Choosing the Right Waterproof Level

Learn how to choose the right waterproof level for distribution boxes. Follow 8 key steps and explore IP65+ solutions from trusted manufacturer



Waterproof Distribution Box

Our products boast customizable materials and dimensions, ensuring a tailored experience. With a range of materials to choose from and the ability to adjust



EKDB10 Distribution Box , IP65 Plastic Waterpro

Discover EKDB10 IP65 waterproof distribution boxes made of durable PC plastic. Available in 4-39 ways, single/double/triple layers, ideal for industrial, commercial,



IP65 Distribution Box SHA Series

The IP65 Distribution Box is available in a comprehensive range of sizes, from 4-way to 54-way configurations, to meet a variety of distribution needs. Its rugged IP65

Distribution Box

Discover distribution boxes with IP65 waterproof rating, durable polycarbonate or metal enclosures, ideal for outdoor electrical installations.



IP65 Distribution Box

IP represents the international protection level (Ingress Protection), 65 means dustproof level 6 and waterproof level 5. This grade of distribution box is highly



Outdoor Waterproof Power Distribution Box

Discover our Outdoor Waterproof Power Distribution Box, expertly crafted from durable Stainless Steel 316. Designed for switchboards and electrical panels, this

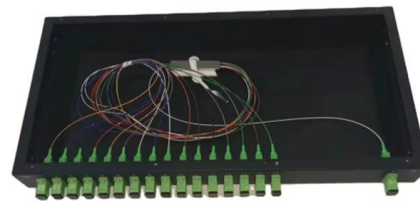


SHT Clear Cover Surface Waterproof Circuit Breaker

SHT Clear Cover Surface Waterproof Circuit Breaker Distribution Box Series:SHT Material:ABS IP Rating:IP65 NEMA Rating:4X Color:Light Grey Application:Outdoor

IP66 Outdoor Waterproof Stainless Steel Enclosure

IP66 Outdoor Waterproof Stainless Steel Enclosure Power Distribution Box, Find Details and Price about Enclosure Box Junction Box from IP66 Outdoor



HA Series IP65 Waterproof Power Distribution Box

Crafted with advanced materials and innovative structures, it delivers reliable and stable performance in harsh environments, including humid, dusty, or outdoor



HA Series IP65 Waterproof Power Distribution Box

The HA Series Waterproof Power Distribution Box (IP65) is a premium electrical solution meticulously designed by GEYA for engineering applications. Crafted

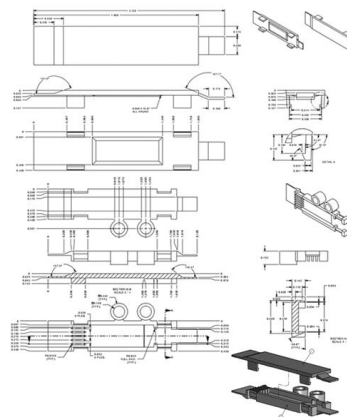


Waterproof distribution box manufacturer tells you, How do you

Waterproof distribution box manufacturer tells you that the method to waterproof the outdoor distribution box is to choose a distribution box made of waterproof materials, seal the cable

Outdoor Waterproof Electrical Equipment Distribution

Model NO.: 500*400*200T Type: Distribution Metering Box Structure: Protection Certification: CCC, CE Form: All- packaged Type Operation Voltage: High Voltage



SHPN SERIES Waterproof Distribution Box

Characteristic: Waterproof and dustproof: IP66 protection level, suitable for indoor and outdoor installation, especially suitable for outdoor environments. Modular design: The number of modules



Outdoor Waterproof Distribution Box with DIN Rail,

DIN rail circuit breaker box is designed to neatly arrange your circuit breakers and connectors in a compact and organized way. Protect your electrical system with

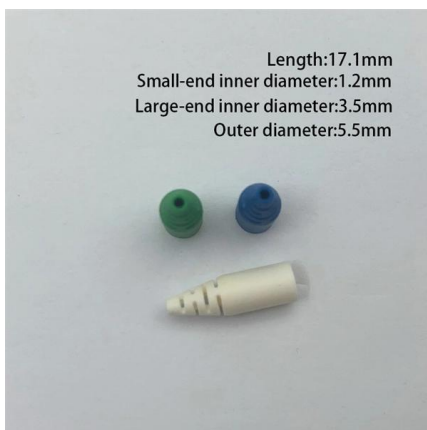


Outdoor Floor-Standing Distribution Panel , Products , Rebuilding

The outdoor floor-standing distribution panel from ETK Enerji is fabricated for open-air industrial sites, construction zones, parks, and street lighting infrastructure. The enclosure uses galvanized or

Waterproof Distribution Box , IP65 & IP66 Rated

ZCEBOX manufactures IP65 & IP66 waterproof distribution boxes for outdoor and industrial applications. Built with durable materials, CE & ROHS certified. Contact us for custom solutions!



Length:17.1mm
Small-end inner diameter:1.2mm
Large-end inner diameter:3.5mm
Outer diameter:5.5mm

Outdoor Waterproof Distribution Cabinets

Find durable, IP65-rated outdoor waterproof distribution cabinets for reliable electrical control. Shop our range of high-quality, customizable options.



Waterproof Distribution Boxes for Electrical , WZMDBOX

Manufacturer & Exporter of Junction Boxes, Electrical Boxes, Plastic Enclosures, Waterproof Distribution Boxes and other waterproof box products. The product is



Waterproof Distribution Box Manufacturer , IP65/IP66

SELHOT's plastic power distribution boxes (plastic distribution boards) are impact and oxidation resistant, making them ideal for use in waterproof and dustproof

Contact Us

For datasheets, pricing, or custom high-speed optical interconnect solutions, please visit:
<https://syropy.com.pl>