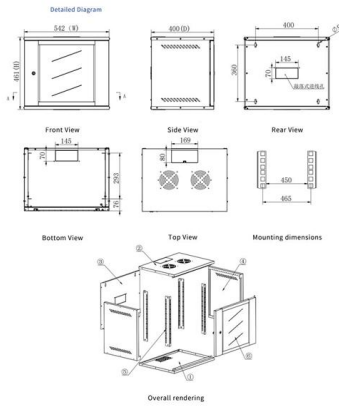


# **Turkmenistan Co-packaged Optical 100G**





## Turkmenistan Co-packaged Optical 100G



### Optical fibres and cables in Turkmenistan Trade , The Observatory of

Imports In 2024, Turkmenistan imported \$4.19M of Optical fibres and cables, becoming the 118th largest importer of Optical fibres and cables (out of 218) in the world. During the same year, Optical fibres

### Co

GIGALIGHT provides 100G, 200G, and 400G pluggable digital coherent optical transceiver modules (DCO) for data center interconnection (DCI), 5G backhaul, metro telecommunication, and other long



### New Standards Push Co-Packaged Optics

Co-packaged optics (CPOs) promise five times the bandwidth of pluggable connections, but the new architecture requires multiple changes to



### Co-packaged optics (CPO): status, challenges, and solutions

Co-packaged optics (CPO) is a disruptive approach to increasing the interconnecting bandwidth density and energy efficiency by dramatically shortening the electrical link length through advanced



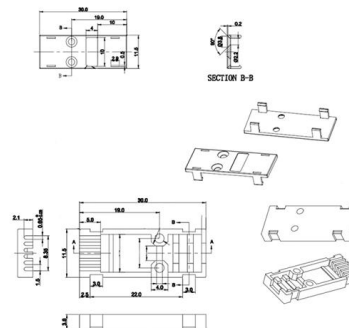
### Co

Optical Transceiver Checkers GIGALIGHT provides a series of BER testing tools (checker) for 10G SFP+, 25G/32GFC SFP28, 40G QSFP+, 100G QSFP28, 200G QSFP56, and 200G/400G QSFP-DD



### Co-packaged Optics Market 2026-2034 Analysis:

From the pivotal role of CPO in hyperscale AI infrastructure to the intricate interplay of components and deployment architectures, this study provides critical insights



### PSE 100G/400G pluggable coherent optics

Our pluggable coherent optical modules support a variety of data rates, including 100Gb/s and 400Gb/s to enable application optimization



## Progress in Research on Co-Packaged Optics

In the 5G era, the demand for high-bandwidth computing, transmission, and storage has led to the development of optoelectronic



## Broadcom Announces Third-Generation Co-Packaged Optics (CPO)

The deployment of Broadcom's 100G/lane CPO product line has enabled the company to gain unmatched expertise in CPO system design, seamlessly integrating optical and electrical

## GlobalFoundries accelerates adoption of co-packaged optics for

GF's SCALE solution, or Silicon photonics Co-packaged Advanced Light Engine solution, is the industry's first Optical Compute Interconnect Multi-Source Agreement (OCI MSA) capable



## Co-Packaged Optics - List of Examples - Ansys Optics

Ansys Lumerical and Zemax toolsets provide the best-in-class solutions to simulate and design complete optical coupling systems for co-packaged optics and other integrated photonics applications.



## Co-packaged optics: promises and complexities

Co-packaged optics can help mitigate signal integrity and power consumption problems, both of which introduce new test issues. At the heart of a

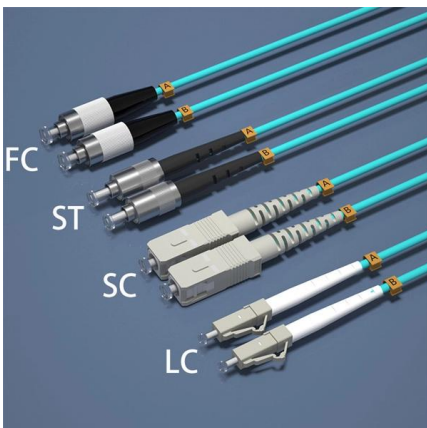


## Co-Packaged Optics Market Report 2025-2030

The Co-Packaged Optics Market grew from USD 2.15 billion in 2024 to USD 2.43 billion in 2025. It is expected to continue growing at a CAGR of

## Home , SpringerLink

Hier sollte eine Beschreibung angezeigt werden, diese Seite lässt dies jedoch nicht zu.



## Co-Packaged Optics Market Size, Share and Analysis,

The global co-packaged optics market size reached USD 125.5 Million in 2025 and grow at a CAGR of 44.86% to reach USD 3,842.6 Million by 2034.



### Coherent To Demonstrate 200G Per Lane For 800G and

03/07/2023 For Immediate Release Coherent To Demonstrate 200G Per Lane For 800G and 1.6T Transceivers at OFC 2023 Coherent will also demonstrate its



### Co-packaged optics in radio-access networks

Ericsson CTO Erik Ekudden's view on the potential of co-packaged optics technology The ability to enable high capacity with low energy consumption in radio-access networks (RANs)

### Co-Packaged Optics 2022

With highly integrated optics and silicon chips, new engineering capabilities and foundries will be highly desired. Standardized electrical SerDes links for 224 Gb/s data rates to provide signaling over a



### 100G ZR QSFP28 Digital Coherent Optics Transceiver

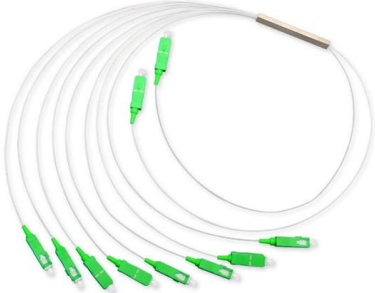
Built around Coherent Steelerton DSP, the 100G ZR QSFP28-DCO transceiver is fully compliant to the IEEE 802.3(TM)-2022 100GBASE-ZR standard, ensuring





**Global Co-Packaged Optics Market Size, Share,**

Global Co-Packaged Optics Market is expected to grow from \$ 15 mn in 2022 to \$ 2840 mn by 2032, at a CAGR of 68.9% during the forecast period 2032.



**Co-packaged optics (CPO): status, challenges, and**

Conventional pluggable optics cannot catch up with the fast-growing bandwidth density and energy efficiency requirements. Co-packaged optics

**Turkmenistan Co-Packaged Optics Market (2024-2030) , Forecast**

Turkmenistan Co-Packaged Optics Industry Life Cycle Historical Data and Forecast of Turkmenistan Co-Packaged Optics Market Revenues & Volume By Data Rates for the Period 2020- 2030



**Heterogeneous Integration Technology Drives the**

The rapid growth of artificial intelligence (AI), data centers, and high-performance computing (HPC) has increased the demand for large bandwidth,



### Intel® Silicon Photonics

Hands-on with the Intel Co-Packaged Optics and Silicon Photonics Switch Patrick Kennedy from ServeTheHome got to check out Intel's live demonstration of co-packaged optics switch passing



### 2.5D co-packaged optical I/O chipsets on a SiON/Si interposer for 4

In this work, we present and experimentally demonstrate a SiON/Si-based optical interposer that integrates high-bandwidth and energy-efficient optical I/O chipsets.



### ICE-X 100G/400G

ICE-X 100G and 400G are designed to simplify network operations, particularly when deployed in third-party hosts such as routers and switches, by integrating optical system-level functionality.





### Keysight Technologies Exhibitor Guide

High Speed Multimode Optics - 100G per lane Multimode We are exceptionally thrilled to introduce Keysight's latest innovations for photonic integrated circuit (PIC) testing. As Silicon Photonics finds

### Co-Packaged Optic Assembly Guidance Document

This document provides guidance on the requirements for co-packaged optic assemblies designed for high-radix, network switch applications with 100Gb/s electrical interfaces.



### Co-packaged optics are inching closer to

Before CPO achieves actual commercial status for network applications in the DCs, it may gain more popularity in high-power computing rather than just displacing pluggable optics.

### Co-Packaged Optics Market Size, Share & Growth Report by 2034

The global co-packaged optics market size is valued at USD 98.42 million in 2025 and is estimated to reach USD 1,160.12 million by 2034, growing at a CAGR of 31.67% during the forecast





### **Optics Primer, Part 3: Co-Packaged Optics (CPO)**

The optical engine is the core of CPO; it converts between the optical and electrical domains. Since the OE is on-package, fiber runs directly to the



## **Contact Us**

---

For datasheets, pricing, or custom high-speed optical interconnect solutions, please visit:  
<https://syropy.com.pl>