

# **What are the specifications for the pigtails of the fiber optic assemblies**





## Overview

---

5m to 2m—that has a factory-terminated connector on one end and bare fiber on the other end. The fiber pigtailed are designed to support fusion and mechanical splicing for fiber cabling systems.



## What are the specifications for the pigtails of the fiber optic assembly

---



### What Is A Fiber Optic Pigtail

A fiber optic pigtail is a short segment of optical fiber cable (typically 0.5-3 meters, though custom lengths reach 10 meters) that is factory-terminated

### High-Quality Fiber Optic Terminal Boxes

Fiber Optic Terminal Box (FTB) is a compact fiber optic management product. It is widely used for FTTx cabling of optical fiber and cable, providing an ideal solution



### What is Fiber Pigtail? A Complete Guide for Beginners

Fiber optic pigtails have only one terminated connector on one side but bare fibers on another side. In contrast, the patch cords have two or more pre

### AshwinD24's gists · GitHub

GitHub Gist: star and fork AshwinD24's gists by creating an account on GitHub.



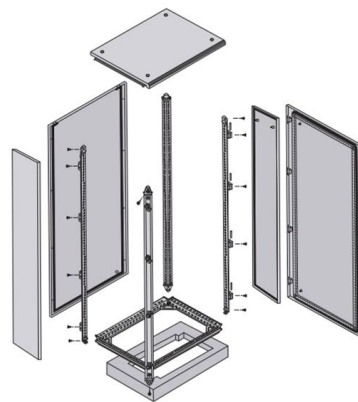
### What Is a Fiber Optic Pigtail? Full Guide to Pigtail Fiber

Comprehensive guide to fiber optic pigtails: Explore types, pigtail connectors, fiber counts, and applications for FTTH, data centers, industrial



### Comprehensive Guide to Fiber Optic Pigtails , Gezhi Photonics

Understanding Fiber Optic Pigtails: Key Specifications, Classifications and Splicing Methods Modern networking operations are characterized by the demand for high-speed, high



### How to choose fiber optic pigtails?

What Are Fiber Optic Pigtails? A fiber pigtail is a single, short, usually tight-buffered fiber optic cable with a factory-installed connector on one end, and un-terminated



### Comprehensive Guide to Fiber Optic



## Pigtails , Gezhi Photonics

Fiber optic pigtails can be divided into single-mode and multimode fibers. Single-mode fiber pigtails, identified by their yellow color, use a 9/125 micron cable and are terminated with a

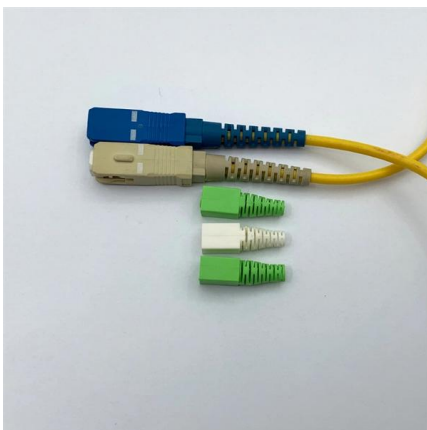


### What is a Fiber Optic Pigtail, and What Is It Used For?

Discover the essentials of fiber optic pigtails, including types, uses, and installation procedures to ensure smooth network operations in data and

### Fiber Optic Patch Panels Types Prices & Technical

Streamline your fiber connectivity with our premium Fiber Optic Patch Panels and ODF systems. Designed for reliability and ease of use, our rack-mount and wall



### What Is Fiber Optic Pigtail and How to Splice It?

Fiber optic pigtail offers an optimal way to joint optical fiber, which is used in 99% of single-mode applications. This post contains some basic



## GJFJV Mini Round Optical Fiber Cable - Compact

GJFJV mini round fiber cable provides flexible and compact optical transmission for indoor distribution networks, available in multiple core counts.

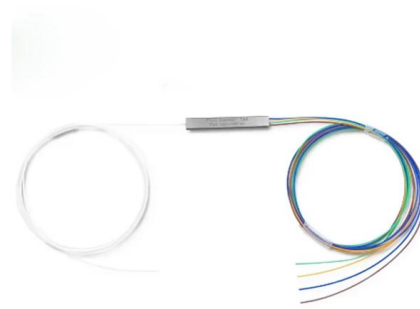


## Fiber Optic Pigtails: Uses & Differences from Patch Cords

In this guide, we will break down what fiber optic pigtails are, how they differ from patch cords, what types exist, and how to select the right one for

## What Is A Fiber Optic Pigtail

In the precision-driven world of fiber optic networking, where every decibel of loss and every reflection matters, the fiber optic pigtail stands as one of



## Beginner's Guide: Fiber Pigtails & Their Importance

Pigtails are commonly used in fiber optics structured cabling management equipment, such as ODF (Optical Distribution Frame), splice closures, and fiber



**Crackhead/pass.txt at master · moimikey/Crackhead ·**

How to create a web form cracker in under 15 minutes. - moimikey/Crackhead



### **Understanding Fiber Optic Pigtails: Types and**

Characterized by having an optical fiber connector on one end and a bare fiber end on the other, they are primarily used to connect optical

### **24 Strand Singlemode OSP Gel-Filled Fiber Optic Cable**

Its dry absorbent polymers eliminate water migration in cable interstices. This fiber is designed for harsh environments that are subject to wide temperature variations.



### **Fiber Optic Pigtail: The Complete Guide to Types, Splicing Methods**

Confused about fiber optic pigtails--which connector type, which polish, fusion or mechanical splice? Our guide covers LC vs SC, APC vs UPC, splicing methods, and real-world use



## Fiber Optic Jumpers, Pigtails & Drop Cables , Multilink

Fiber optic pigtails: Multilink's fiber optic pigtail assemblies primarily feature either six or 12 fibers depending on your preference. Like our jumper assemblies, these pigtails can feature the connector

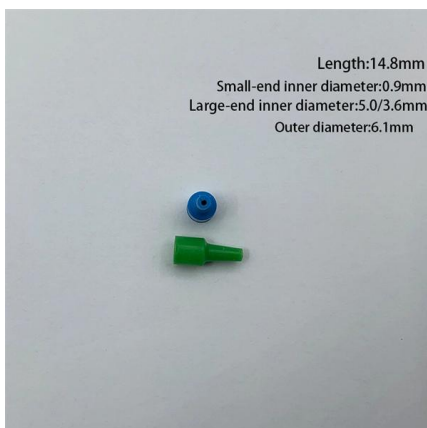


### Fiber Pigtails

Simplex or multifiber pigtails are available. We also provide a full set of customized services, such as fiber counts, length, connector, fiber grade, cable types and cable diameter etc. Fiber pigtails provide

### E2000 Fiber Optic Connector Kit Kit Price and Specification

E2000 fiber optic connector Kit and products are more and more used in the communication filed because its good performance.one of the few fiber optic



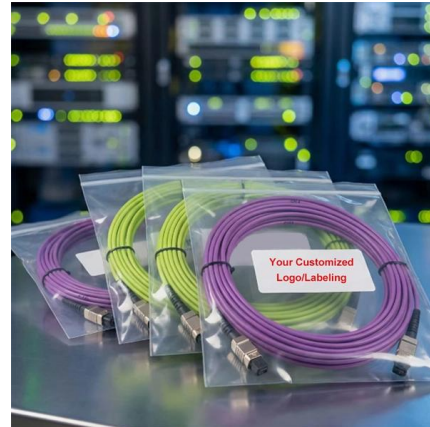
### Fiber Optic Splicing: Examining the Factors that Affect

Learn the the intrinsic and extrinsic factors that can impact fiber optic splice performance and how you can create the best fiber optic network.



## Optical Fiber , Optical Fiber Products , Corning

Optical fiber broadband brings together a culture of innovation, quality, and manufacturing excellence to create life-changing products.



### Multimode SC Fiber Pigtail With Simplex Fiber Optic

SC upc multimode fiber pigtail is available, we offer single mode and multimode cable pigtails with sc/LC/FC/ST/E2000 connector, Free sample in stock!



### Understanding Fiber Optic Pigtails: Types and

Fiber Optic Pigtails are structurally similar to patch cords, and can be considered as two pigtails when a patch cord is cut in the middle. Pigtails come



### Fiber Optic Pigtails: Choosing the Right LC, ST, or SC

Learn about the importance of fiber optic pigtails in network connections and discover the differences between LC, ST, and SC pigtails. Find





## Fiber Panels, Modules & Cassettes

Explore CommScope's efficient and scalable fiber splice panels designed for seamless connectivity. Accommodating LC, SC, and MTP/MPO connectors,



## Contact Us

---

For datasheets, pricing, or custom high-speed optical interconnect solutions, please visit:  
<https://syropy.com.pl>