

What is the white fiber optic patch cord





Overview

White fiber optic patch cords are often referred to as white fiber optic pigtailed and are used to connect optical transceivers to fiber distribution boxes, extending or supplementing fiber connections. Understanding fiber-optic color codes is essential for any technician tasked with installing, maintaining, or troubleshooting modern fiber networks. ZION Communication supplies both standard patch cords and custom assemblies to match your equipment, distance, and installation. What is a Fiber Patch Cable?

A fiber patch cable is a fiber optic cable with connectors on both ends.



What is the white fiber optic patch cord



Fiber Patch Cables Explained 2025: Types, Connectors,

In a modern data center, every high-speed optical link depends on the right fiber patch cable. These short fiber optic cords connect transceivers,

Cables, Adapters, Fiber, Network Add-ons & Tools , Computer Cable

Cables, Adapters, Fiber, Network Add-ons & Tools
This 20m Multimode Duplex OM4 Fiber Optic Patch Cable (50/125) - LC to LC has ceramic ferrules and a 50/125 micron core, this cable is suitable for



5Pack LC to LC Fiber Patch Cable MultiMode, OM3 Patch Cords

Upgrade your connectivity with confidence and reliability today! High-Performance Silica Core: Our LC to LC Fiber Patch Cable features a high-purity silica core with outstanding optical transmission

Fiber Optic Color Code Explained: Jacket, Connector

Understand fiber optic color codes with this complete guide. Learn about jacket colors, buffer color standards, connector IDs, and practical visuals.



Fiber Optic Patch Cords Guide , Types, Connectors

Fiber Optic Patch Cords Explained - Practical Guide from ZION Communication As networks move to higher speeds and higher density, choosing



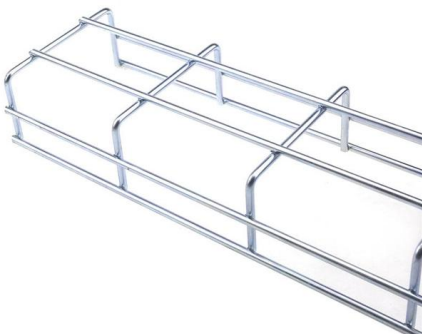
Single Mode Fiber Optic Patch Cables

Also available are single mode patch cables with AR-coated FC/PC or FC/APC connectors for improved fiber-to-free-space coupling, thermally-expanded-core



Fiber-optic patch cord

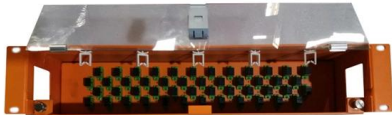
A fiber-optic patch cord is a fiber-optic cable capped at each end with connectors that allow it to be rapidly and conveniently connected to telecommunication equipment.





AOC, DAC, Fiber Optic Transceivers , One-Stop Shop

Online shopping. w/24h-delivery, 7Days & Refund Guarantee. CE, RoHS and ISO9001 Certified. SFP+ Cables, QSFP+ Cables, MiniSAS Cables, XFP Cables,



SC/APC to SC/UPC fiber patch cord 5 m , AiO.lv

Simplex fiber optic patch cord with SC/APC connector on one end and SC/UPC on the other. Cable length 5 m, 3 mm diameter, arctic white jacket and LSZH (low smoke zero halogen) construction.

Understanding Fiber Patch Cord Types

A fiber optic patch cord --also known as a fiber jumper--is a fiber cable terminated with connectors on both ends. These connectors allow quick connection between optical equipment such as switches,



Fiber Optic Interconnects, Patch Cords & Pigtails

Fiber Optic Interconnects, Patch Cords & Pigtails
Something went wrong. If the problem persists contact the administrator.



Ultimate Guide to Fiber-Optic Patch Cables: Types, Selection, and

Learn about fiber optic patch cables, their types, construction, applications, and how to choose the right one for your network needs.



Fiber-optic cable

A fiber-optic cable, also known as an optical-fiber cable, is an assembly similar to an electrical cable but containing one or more optical fibers that are used to carry

How to choose fiber optic pigtails?

Fiber optic patch cords are usually jacketed, while fiber pigtails are usually unjacketed. Since fiber pigtails are usually spliced and protected such as in a



Fiber Optic Color Code: The Ultimate TIA-598-C Guide

Master the TIA-598-C fiber optic color code standard. Read our complete guide and use our free interactive calculator to easily identify 1-144 core cables.



SIMPLEX OPTICAL PATCH CORD SM BLI G-657A2 SC-APC/SC

Additional lengths available upon request. Color Fiber , TIA 568 - C , ABNT Single-Mode (G657) , White or Yellow , White or Blue Cable Type Simplex Tight Patch Cord: totally dielectric, consists of one



Amazon : SC to SC Fiber Optic Patch Cable,

It retains all the features of a standard patch cord, but is much stronger. Pressure resist and Wear resist. Bangun sc to sc simplex armored fiber patch cords



Fiber Optic Patch Cord

Find here Fiber Optic Patch Cord, Fiber Cable manufacturers, suppliers & exporters in India. Get contact details & address of companies manufacturing



Structured Cabling Solutions

ICC is a structured cabling solutions manufacturer of copper & fiber optic connectivity products for commercial & residential applications.



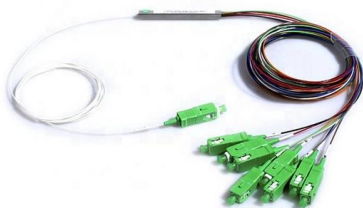
FiberMania , Fiber Optic Cables OEM Solutions

Complete Fiber Patch Cord Solutions Our fiber patch cord portfolio includes standard duplex, uniboot, armored, and high-density assemblies, designed for modern



Fiber Optic Cable Assemblies , Fiber Patch Cords and

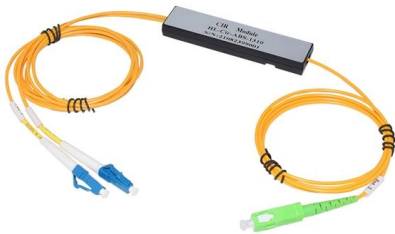
Fiber Optic Cable Assemblies Corning offers the most complete line of connectors and factory-terminated cables, from single-fiber cords to high-fiber-count cable





Fibershack

Our Simplex Fiber Internet cables are ideal for all FTTH, FTTB, FTTP, Audio and Data applications. We stock a range of Singlemode patch cords, from 1M to 10M These wires are lightweight, sturdy and



White SC/APC Fiber Optic Internet Cables for Home Fiber Networks

Used for Verizon Fios, ONT Applications, AT& T Fiber optic networks and most other in-home Fiber networks. The FiberShack Fiber Optic Patch Cable is a professional grade solution to repositioning,

Fiber Optic Cable Types & What They Are Used For

A fiber patch cord (also known as the fiber patch cable or the optical jumper) is much needed for indoor uses for server rooms or even a data center. It



Fiber Optic Cable vs Patch Cord vs Pigtail - Complete

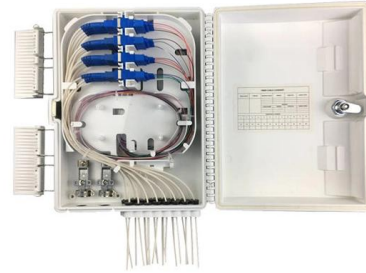
When you build or upgrade a fiber network, the same four words pop up everywhere-- fiber optic (bare fiber), pigtail, patch cord, optical cable. They're

The difference between fiber optic patch



cords of various colors such

White fiber optic patch cords are often referred to as white fiber optic pigtails and are used to connect optical transceivers to fiber distribution boxes, extending or supplementing fiber connections.



All Kinds of Fiber Optic Patch Cords - SC, LC, FC, ST

Learn about SC, LC, FC, and ST fiber optic patch cords, their uses in FTTH, telecom, and data centers, and how to choose the right type.

Contact Us

For datasheets, pricing, or custom high-speed optical interconnect solutions, please visit:
<https://syropy.com.pl>